

The CS-64 outdoor speaker features stainless steel hardware for all-weather durability. It is designed to offer the high intelligibility of weather-resistant horns combined with the high sound quality of dynamic speakers. The CS-64 employs the rotary switch that facilitates impedance changes.

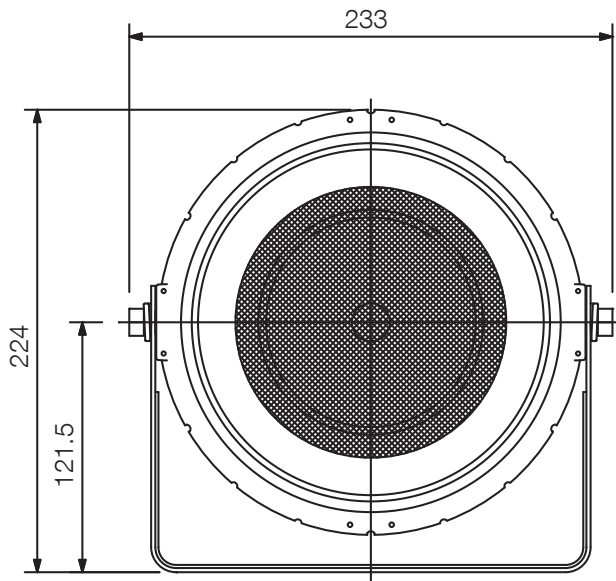


Article number:CS-64 EU

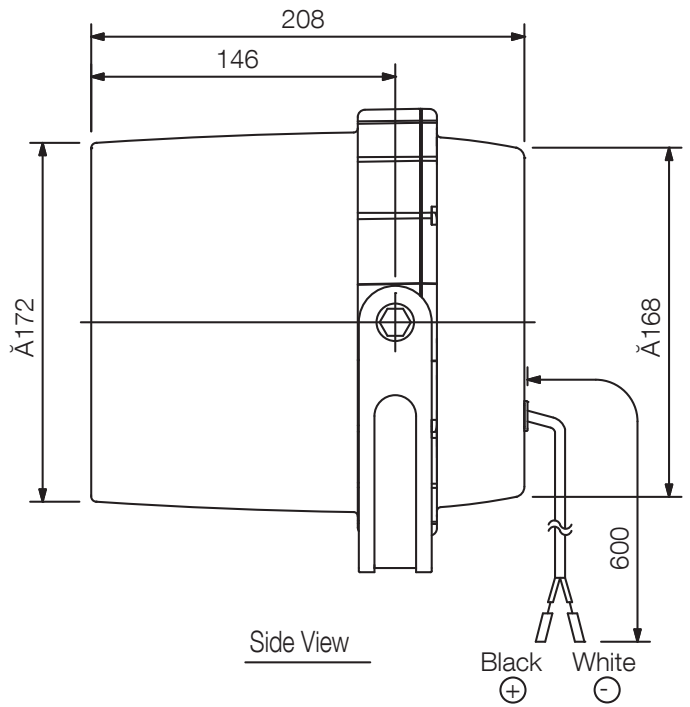
### Specifications

Sensitivity (1#V, 1#m)	96 dB 330 Hz - 3,3 kHz, pink noise
Frequency response.	130 Hz - 13 kHz
Tappings	100 V : 1.7 kΩ (6 W) / 3.3 kΩ (3 W) / 10 kΩ (1 W) 70 V : 830 Ω (6 W) / 1.7 kΩ (3 W) / 3.3 kΩ (1.5 W) / 10 kΩ (0.5 W)
Speaker component	12 cm cone-type
Finish.	ABS resin, paint, papyrus white (RAL 9018 or equivalent), Bracket: Stainless steel
Operating temperature.	-20 °C to +55 °C

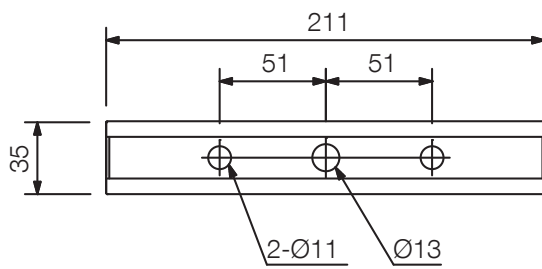
### Appearance



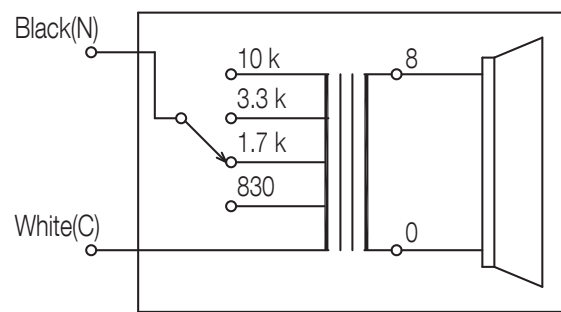
Front View



Side View



Dimensional Diagram



(Transformer connection when the speaker is supplied from the factory)

Wiring Diagram

UNIT:mm

SCALE:1/4