



DL-K 16-130/T-EN54

- UV-resistant
- elegant design
- BS 5839



EN 54-24:2008
Ref. Nr.: 005-13
ID-Code: SAA-LS05
1438-CPD-0325

ic audio GmbH, Boehringerstraße 14a,
D-68307 Mannheim, Germany

CE-Symbol gemäß Richtlinie 93/68EWG

The 16W powered speaker is equipped with a 130mm full-range loudspeaker chassis and a 100V transformer with 3 power adjustments. The sturdy, UV-resistant ABS-housing (UL 94 HB) in RAL 9010 guarantees long-term stability. For additional reliability, a ceramic block, a thermal fuse is provided and the speaker chassis is impregnated against wetness.

The speaker is also secured with protection class IP 35 against the security risks of environmental influences.

The speaker is also compliant with the British Standard BS 5839, Part 8.

The connection will be done with a 4,5 m long, 4-pin cable. Quick and easy mounting with a mounting hook.

Technical Data (Electrical)

| | |
|----------------------------|--------------------|
| Description | DL-K 16-130/T-EN54 |
| Power | 16/8/4 W |
| Impedance (100V) | 625/1250/2500 ohm |
| Frequency Range | 130 - 13.300 Hz |
| Frequency Response | 130 - 23.500 Hz |
| SPL IEC268-5 , 1W/1m | 85,0 dB |
| SPL EN54-24, Pmax/4m | 86,5 dB |
| Sensitivity EN54-24, 1W/4m | 73,0 dB |
| Sensitivity EN54-24, 1W/1m | 85,0 dB |
| Dispersion -6dB, 500Hz | h/v 360° |
| Dispersion -6dB, 1KHz | h/v 196° |
| Dispersion -6dB, 2KHz | h/v 132° |
| Dispersion -6dB, 4KHz | h/v 171° |

Please note: Because of many different types of ceiling materials and ceiling strengths we recommend to build in a sample of the speaker to match the requirements accurately.

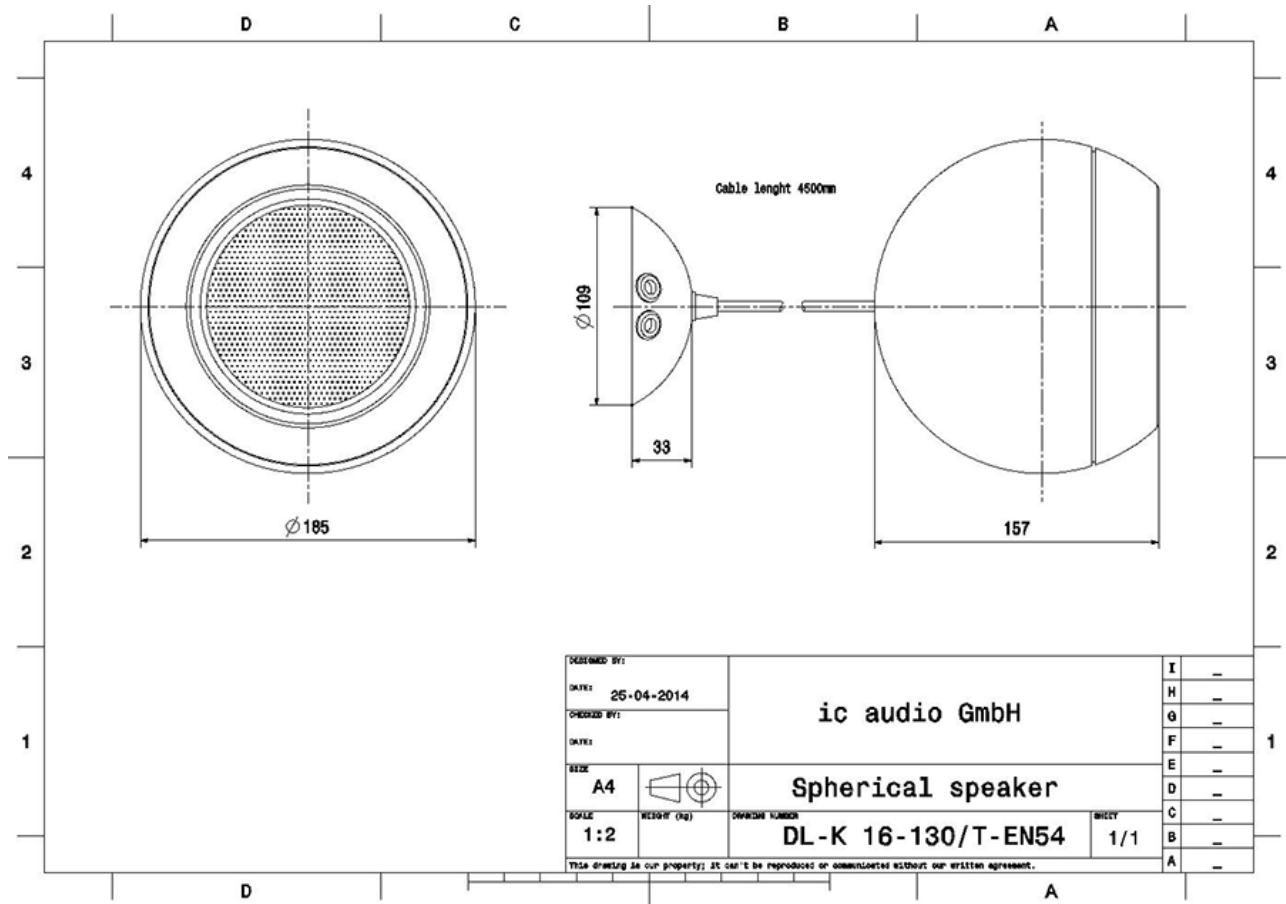
Technical Data (Mechanical)

| | |
|-----------------------------|------------------|
| Dimensions | 185x157 mm |
| IP Rating | IP35 |
| Weight (net) | 1,50 kg |
| Temperature range | -10 / +55 C° |
| Mounting | Mounting hook |
| Connector | ceramic block |
| Terminal diameter | 3,2 mm |
| Maximum cable cross section | 8mm ² |
| Colour | RAL 9010 |

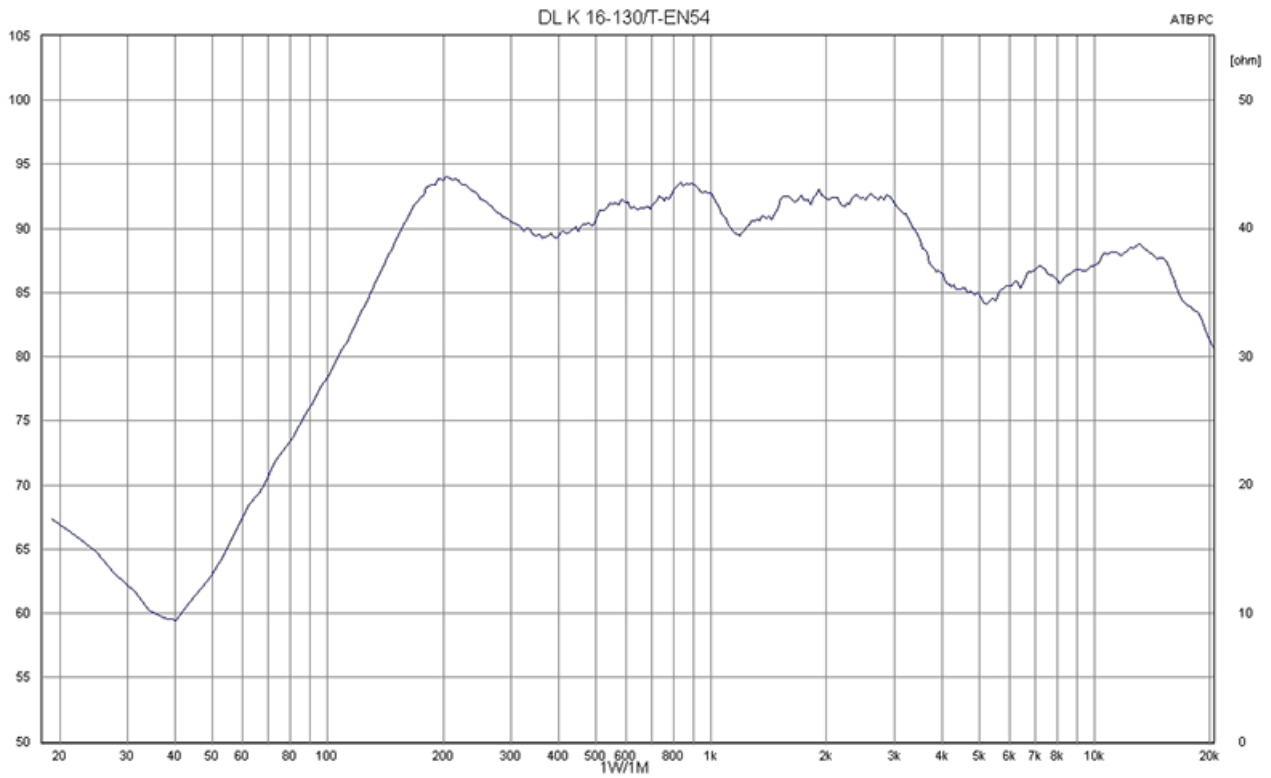
Product Attributes



Technical Diagrams

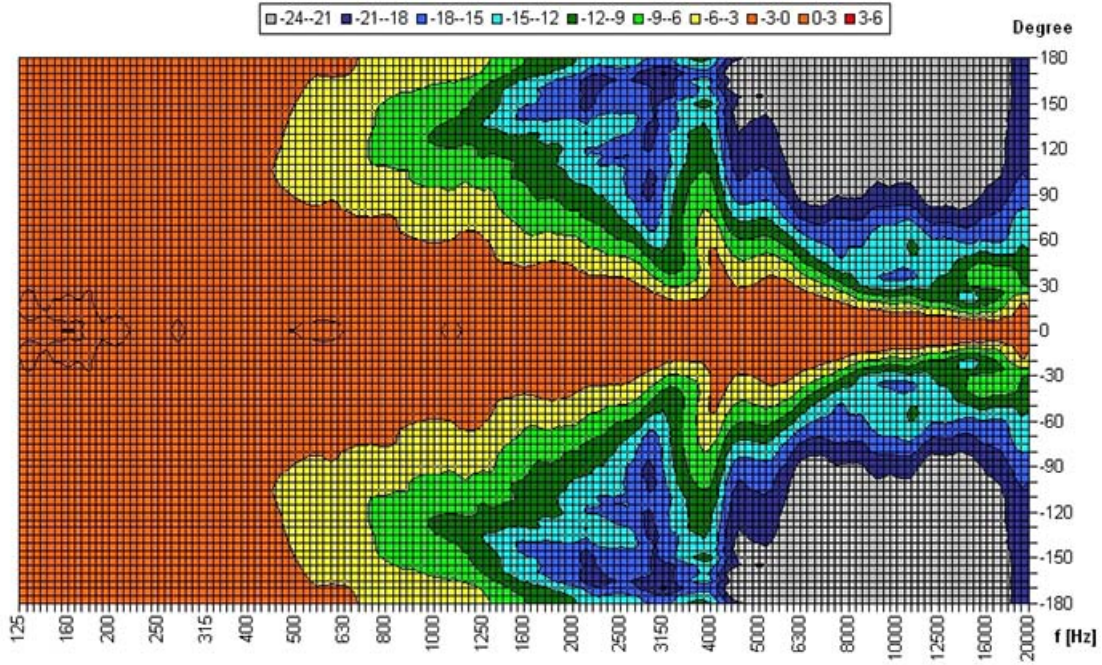


Frequency Response Diagrams



Polar Diagrams

Copyright by Four-Audio GmbH & Co KG Licensed to AAC



Parameters: Cyclic Move: 0° ; Symmetry: average sym ; Freq.Smooth: 1/3 Oct ; Ang.Resol: 5° ; Rel. to: 0° Axis 0°

ic audio loudspeakers are tested and classified according to the IEC standard 60529 (degree of protection by enclosure) against the penetration of foreign objects and moisture. The classification is conforming to standards through characterization with a fixed code. This code consists of the letters IP (International Protection) followed by two digits. The first digit indicates the degree of protection against dust and the second digit the degree of protection against water. Please note that the testing of the products has been carried out in laboratory conditions which are not always 100% comparable with the conditions of different installation environments. This protection can be reduced due to normal wear and tear depending on the installation environment.

RoHS compliant (2011/65/EU)

The IP rating specified is based on ic audio test results, not on CNBOP-PIB test results. Certification only verifies the minimum requirements for EN54-24 compliance.



Article Nr.: 20122605

Packing Unit: 6

