



DL-H 20-100/T plus-EN54

- UV-resistant
- easy power adjustment
- 2-Way system



EN 54-24:2008
Ref. Nr.: 020-33
ID-Code: SAA-LS33
1438-CPR-0766

ic audio GmbH, Boehringerstraße 14a,
D-68307 Mannheim, Germany

CE-Symbol gemäß Richtlinie 93/68EWG

The 20W speaker is equipped with a 100mm 2-way bass reflex system and offers powerful sound with a wide and homogeneous dispersion. The DL-H has a 100V transformer with 4 power adjustments, these can be easily adjusted by a rotary switch on the top of the sphere. Low impedance operation is also possible.

The impact-resistant, UV-resistant ABS plastic housing in RAL 9016 guarantees lasting stability. Additional operational safety is provided by the 2-pole ceramic terminal block, a thermal fuse, a PG screw connection integrated into the canopy and the moisture impregnation of the loudspeaker. The loudspeaker is protected against the risks of environmental influences with protection class IP65.

The connection is made via a 2-core, 4.5m long cable. Quick and uncomplicated installation using mounting hooks and canopy.

The speaker is compliant with the British Standard BS 5839, Part 8.

Technical Data (Electrical)

Description	DL-H 20-100/T plus-EN54
Power	20 / 10 / 5 / 2.5 (8)W
Impedance (100V)	500 / 1000 / 2000 / 4000 / 8 ohm
Frequency Range	80 -20.000 Hz
Frequency Response	70 - 22.000 Hz
SPL IEC268-5 , 1W/1m	92,0 dB
SPL EN54-24, Pmax/4m	84,1 dB
Sensitivity EN54-24, 1W/4m	71,9 dB
Dispersion -6dB, 500Hz	h/v 360° / 360°
Dispersion -6dB, 1KHz	h/v 160° / 160°
Dispersion -6dB, 2KHz	h/v 102° / 102°
Dispersion -6dB, 4KHz	h/v 86° / 86°

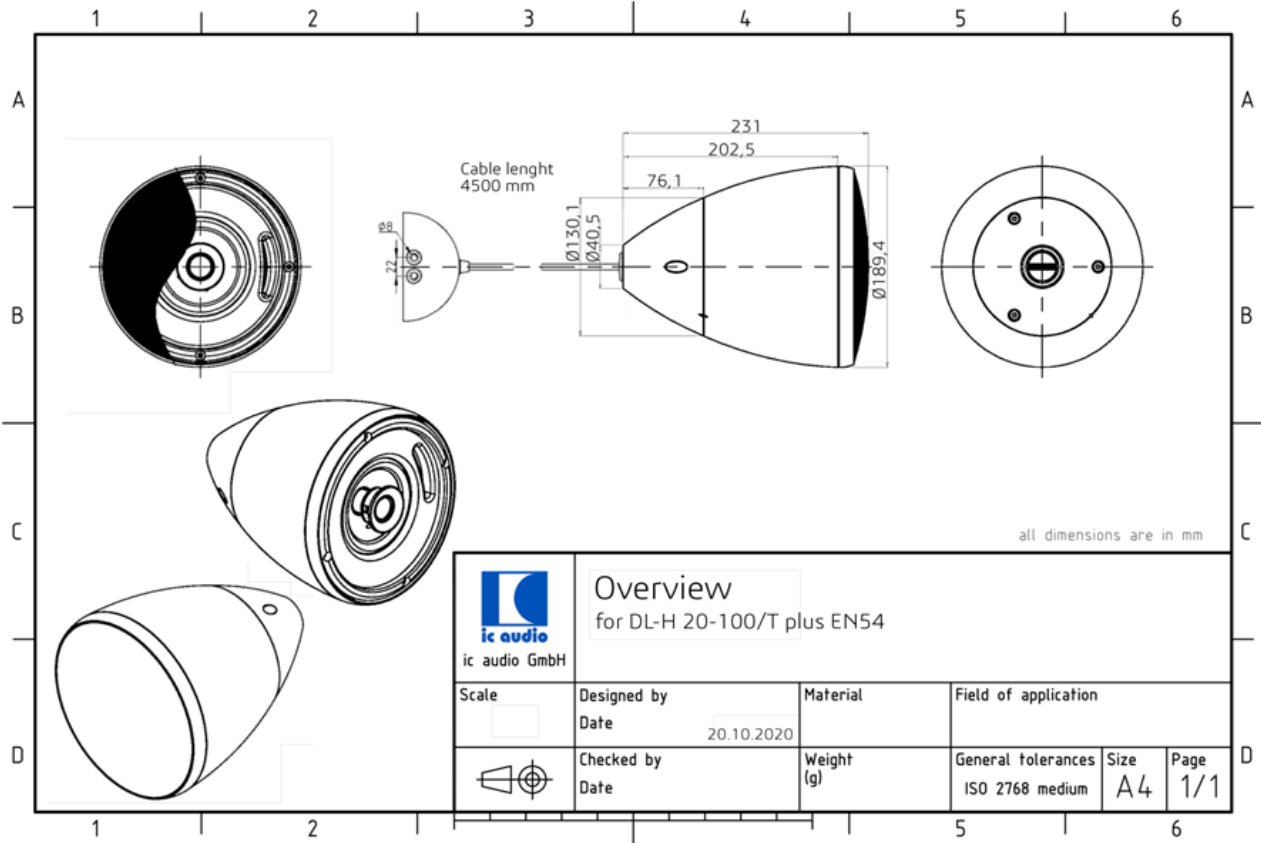
Technical Data (Mechanical)

Dimensions	189,4x231 mm
IP Rating	IP65
Weight (net)	2,02 kg
Temperature range	-10 / +55 C°
Mounting	Mounting hook
Connector	2-pin ceramic block
Terminal diameter	3,2 mm
Maximum cable cross section	8mm ²
Colour	RAL 9016

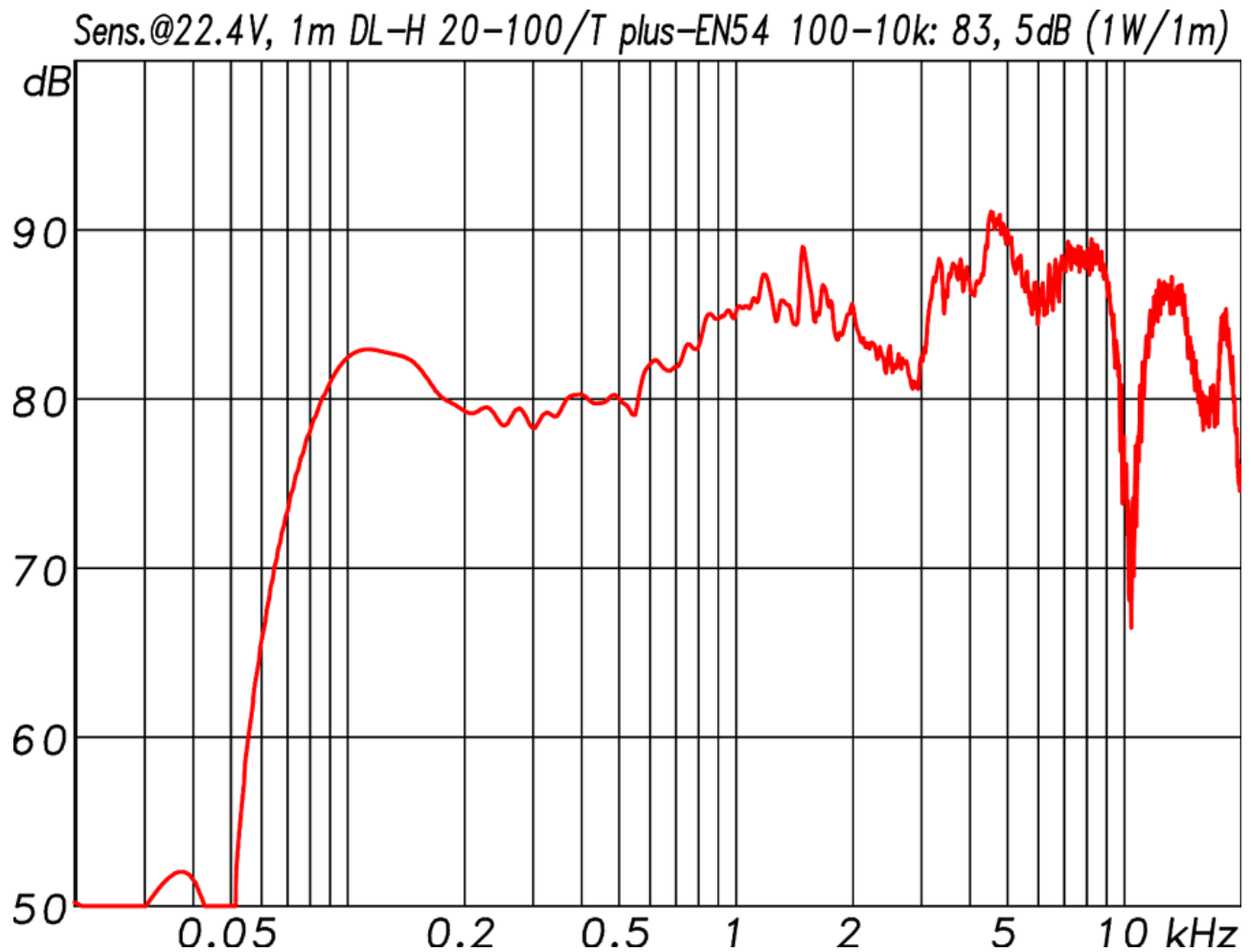
Product Attributes



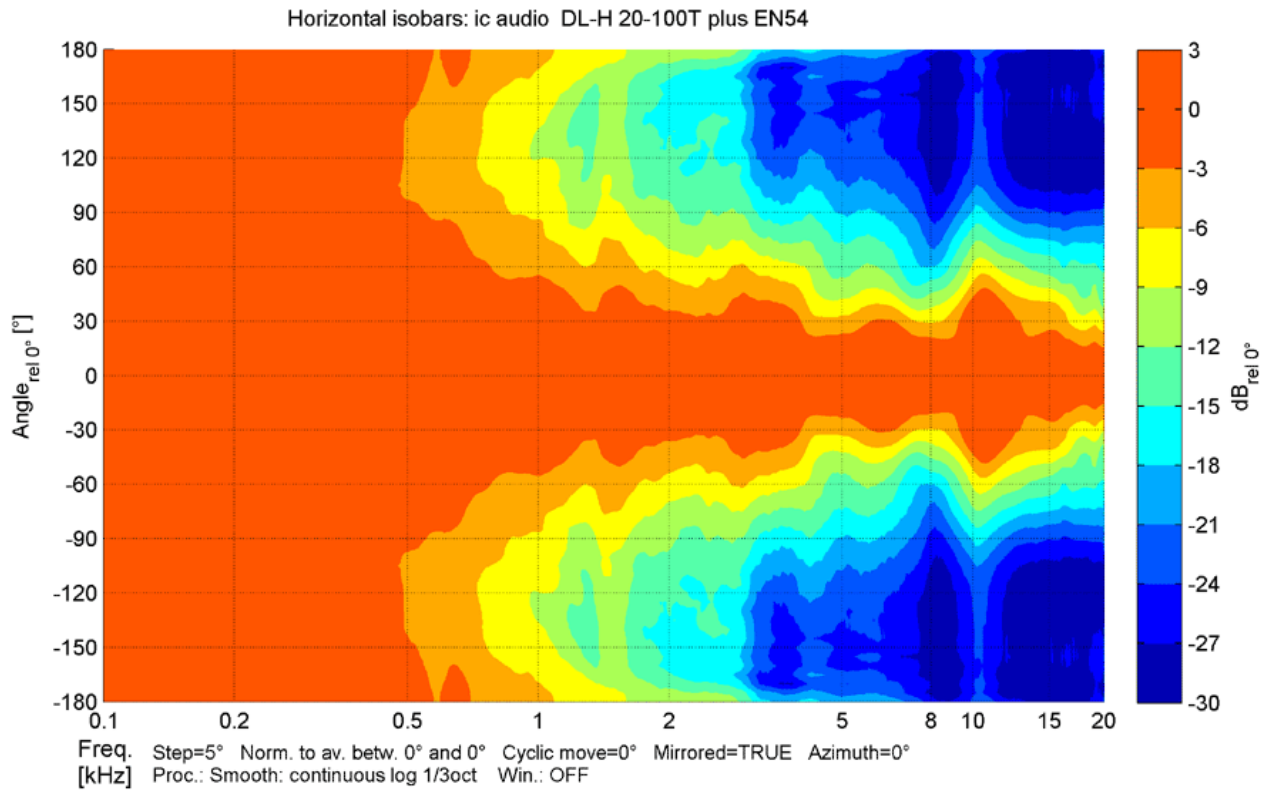
Technical Diagrams



Frequency Response Diagrams



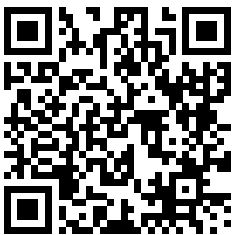
Polar Diagrams



ic audio loudspeakers are tested and classified according to the IEC standard 60529 (degree of protection by enclosure) against the penetration of foreign objects and moisture. The classification is conforming to standards through characterization with a fixed code. This code consists of the letters IP (International Protection) followed by two digits. The first digit indicates the degree of protection against dust and the second digit the degree of protection against water. Please note that the testing of the products has been carried out in laboratory conditions which are not always 100% comparable with the conditions of different installation environments. This protection can be reduced due to normal wear and tear depending on the installation environment.

RoHS compliant (2011/65/EU)

The IP rating specified is based on ic audio test results, not on CNBOP-PIB test results. Certification only verifies the minimum requirements for EN54-24 compliance.



Article Nr.: 20205426

Packing Unit: 4

