



DA-D 20-130/T-EN54

- superb sound
- high-impact ABS plastic
- BS 5839



EN 54-24:2008
Ref. Nr.: 021-32
ID-Code: SAA-LS32
1438-CPR-0758

ic audio GmbH, Boehringerstraße 14a,
D-68307 Mannheim, Germany

CE-Symbol gemäß Richtlinie 93/68EWG

The 20W design speaker with an amazing concave shape is equipped with a 130mm full-range speaker and a 100V transformer with 3 power adjustments. Acoustically the design loudspeaker convinces at all levels. Thanks to a smart phase-shifting and a high-quality midrange resonator, the speaker offers a sound characteristic that is matching a 2-way system. In addition, the very wide dispersion ensures a comprehensive sound.

A robust, ABS plastic housing in RAL9016 and a stable aluminium mounting bracket guarantee a durable installation. The cable is fed via a cable gland (M12), for larger cable sizes the rear cable opening can be used. The integrated 2-pole ceramic block and thermal fuse as well as the moisture impregnation of the loudspeaker ensure additional safety.

The speaker is compliant with the British Standard BS 5839, Part 8.

Technical Data (Electrical)

Description	DA-D 20-130/T-EN54
Power	20/10/5 W
Impedance (100V)	500/1000/2000 ohm
Frequency Range	142 - 14.300 Hz
Frequency Response	112 - 15.800 Hz
SPL IEC268-5 , 1W/1m	92,0 dB
SPL EN54-24, Pmax/4m	88,0 dB
Sensitivity EN54-24, 1W/4m	76,4 dB
Dispersion -6dB, 500Hz	h/v 360°
Dispersion -6dB, 1KHz	h/v 155° / 220°
Dispersion -6dB, 2KHz	h/v 95° / 85°
Dispersion -6dB, 4KHz	h/v 80° / 85°

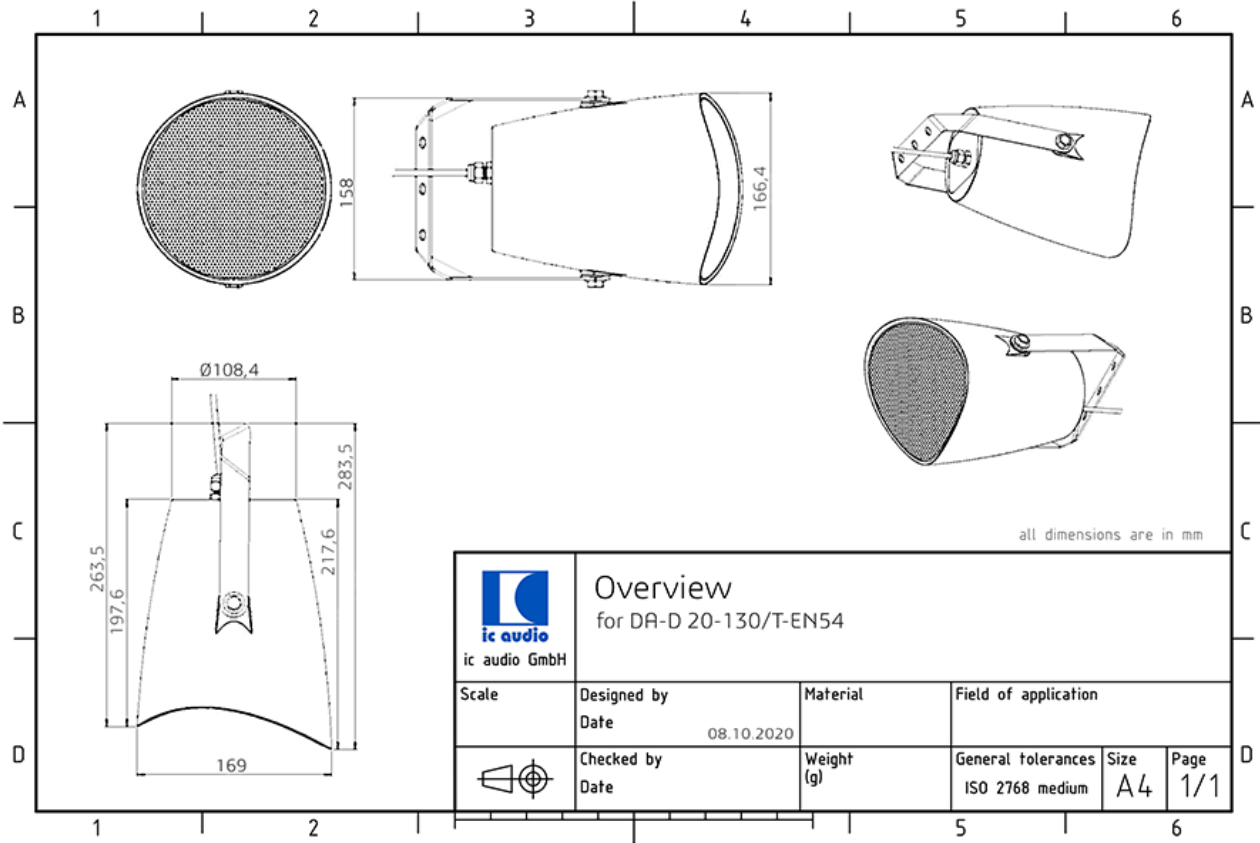
Technical Data (Mechanical)

Dimensions	169x 283,5mm
IP Rating	IP65
Weight (net)	1,76kg
Temperature range	-25 / +70 C°
Mounting	Mounting bracket
Connector	2-pin ceramic block
Terminal diameter	3,2 mm
Maximum cable cross section	8mm ²
Colour	RAL9016

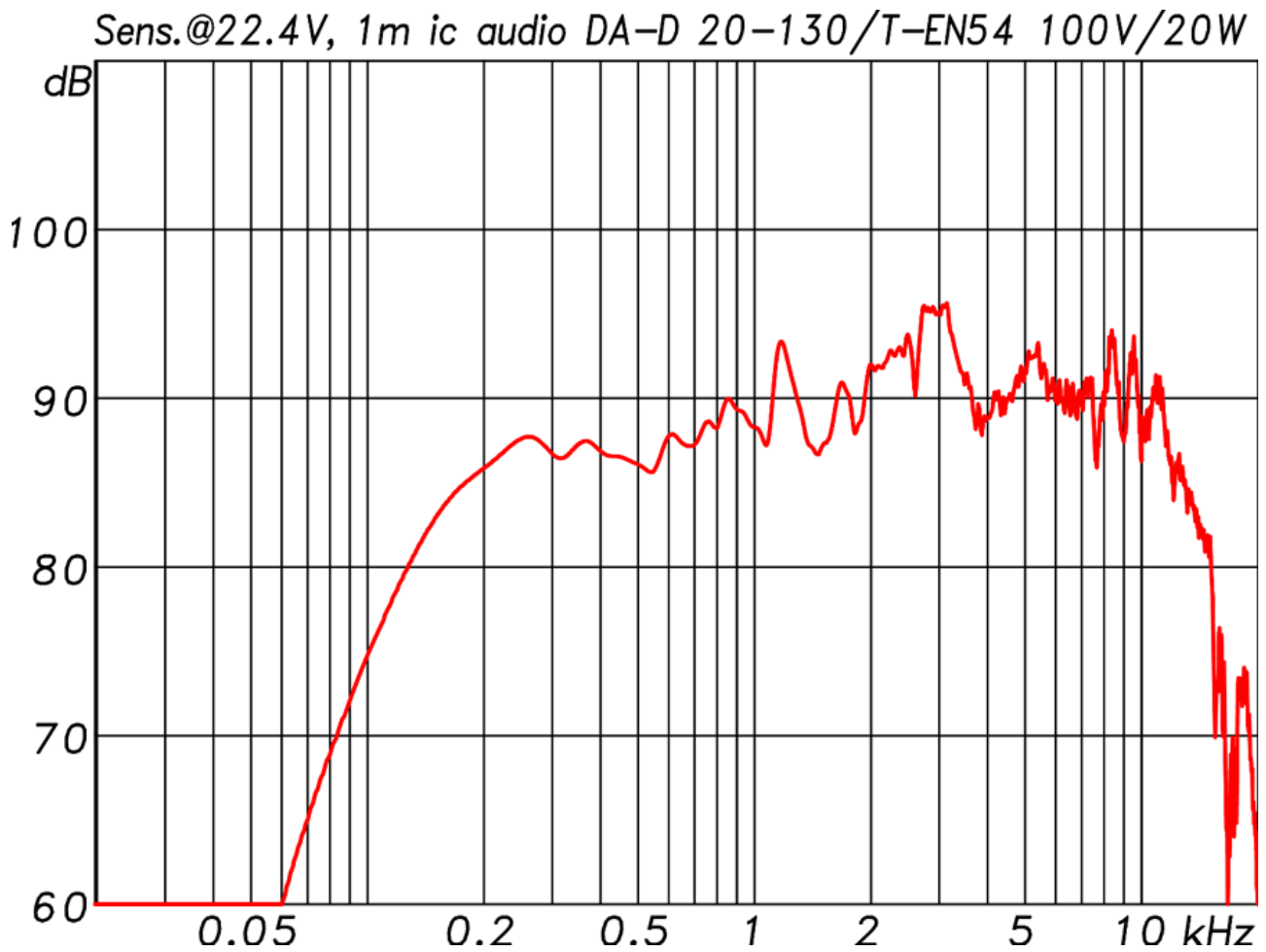
Product Attributes



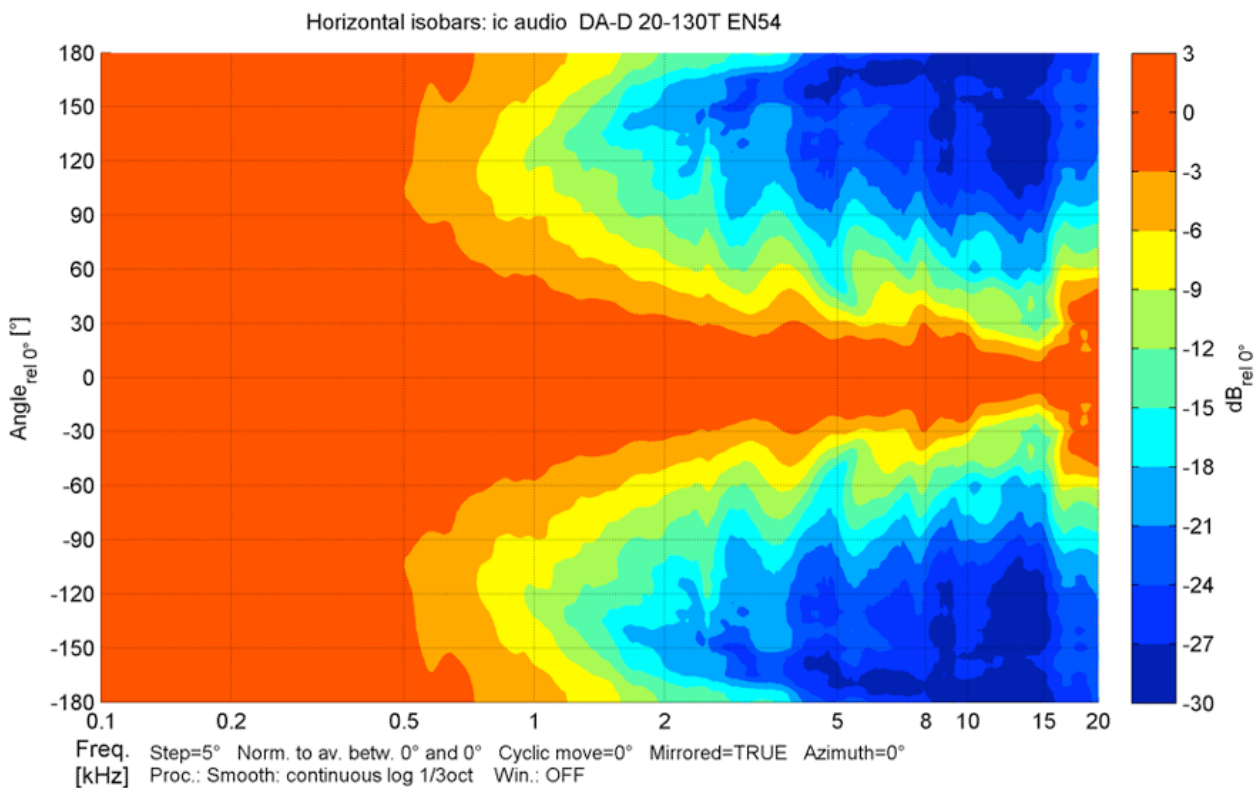
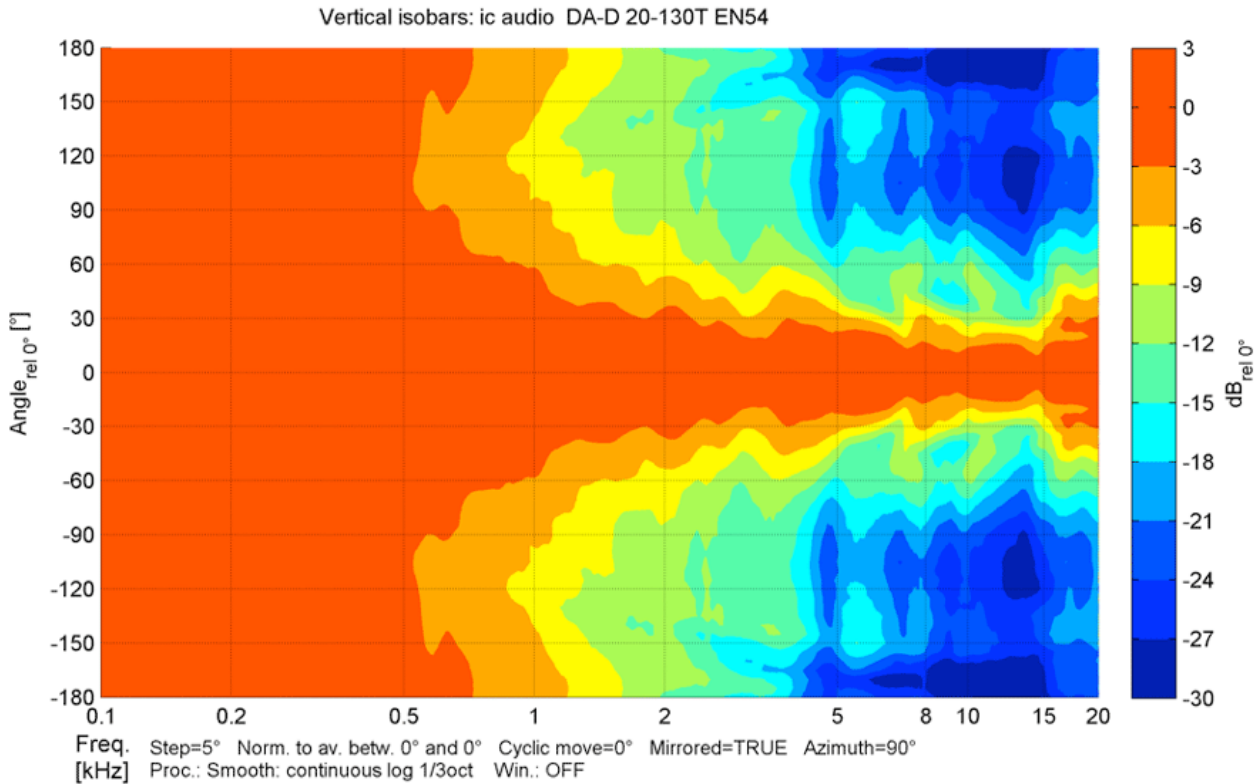
Technical Diagrams



Frequency Response Diagrams



Polar Diagrams



ic audio loudspeakers are tested and classified according to the IEC standard 60529 (degree of protection by enclosure) against the penetration of foreign objects and moisture. The classification is conforming to standards through characterization with a fixed code. This code consists of the letters IP (International Protection) followed by two digits. The first digit indicates the degree of protection against dust and the second digit the degree of protection against water. Please note that the testing of the products has been carried out in laboratory conditions which are not always 100% comparable with the conditions of different installation environments. This protection can be reduced due to normal wear and tear depending on the installation environment.

RoHS compliant (2011/65/EU)

The IP rating specified is based on ic audio test results, not on CNBOP-PIB test results. Certification only verifies the minimum requirements for EN54-24 compliance.



Article Nr.: 20205425

Packing Unit: 8

