



DL 06-130/T-EN54

- quick mounting
- shock-resistant housing
- BS 5839



EN 54-24:2008
Ref. Nr.: 010-14
ID-Code: SAA-LS01
1438-CPR-0233

ic audio GmbH, Boehringerstraße 14a,
D-68307 Mannheim, Germany

CE-Symbol gemäß Richtlinie 93/68EWG

The 6W powered speaker is equipped with a 130mm full-range loudspeaker and a 100V transformer with 3 power adjustments. The powder coated metal similar in RAL 9010 guarantees long-term stability. For additional reliability, a 2 pin-ceramic block, a thermal fuse is provided and the speaker is impregnated against wetness.

The speaker is also secured with protection class IP 55 against the security risks of environmental influences. Quick and easy mounting with spring clamps and short tension distance. The connecting cables can be supplied by rubber grommets in the firedome.

The speaker is also compliant with the British Standard BS 5839, Part 8.

Special paint of the speaker in 4-digit RAL- or NCS- colour available at extra cost.

The firedome is included in the delivery.

This speaker is suitable for a ceiling strength of about 2 – 45 mm. Our specification is primarily related to solid ceilings, for ceilings with soft materials a higher ceiling thicknesses could be necessary. In addition, stronger cables and other fittings may also result in changes of the appropriate setup. With regard to the variety of materials and manufacturers, we recommend to build in a sample of the speaker to match the requirements accurately.

Technical Data (Electrical)

Description	DL 06-130/T-EN54
Power	6/3/1,5 W
Impedance (100V)	1667/3333/6667 ohm
Frequency Range	350 - 13.800 Hz
Frequency Response	84 - 16.300 Hz
SPL IEC268-5 , 1W/1m	92,0 dB
SPL EN54-24, Pmax/4m	88,0 dB
Sensitivity EN54-24, 1W/4m	80,0 dB
Sensitivity EN54-24, 1W/1m	92,0 dB
Dispersion -6dB, 500Hz	h/v 180°
Dispersion -6dB, 1KHz	h/v 180°
Dispersion -6dB, 2KHz	h/v 120°
Dispersion -6dB, 4KHz	h/v 65°

Please note: Because of many different types of ceiling materials and ceiling strengths we recommend to build in a sample of the speaker to match the requirements accurately.

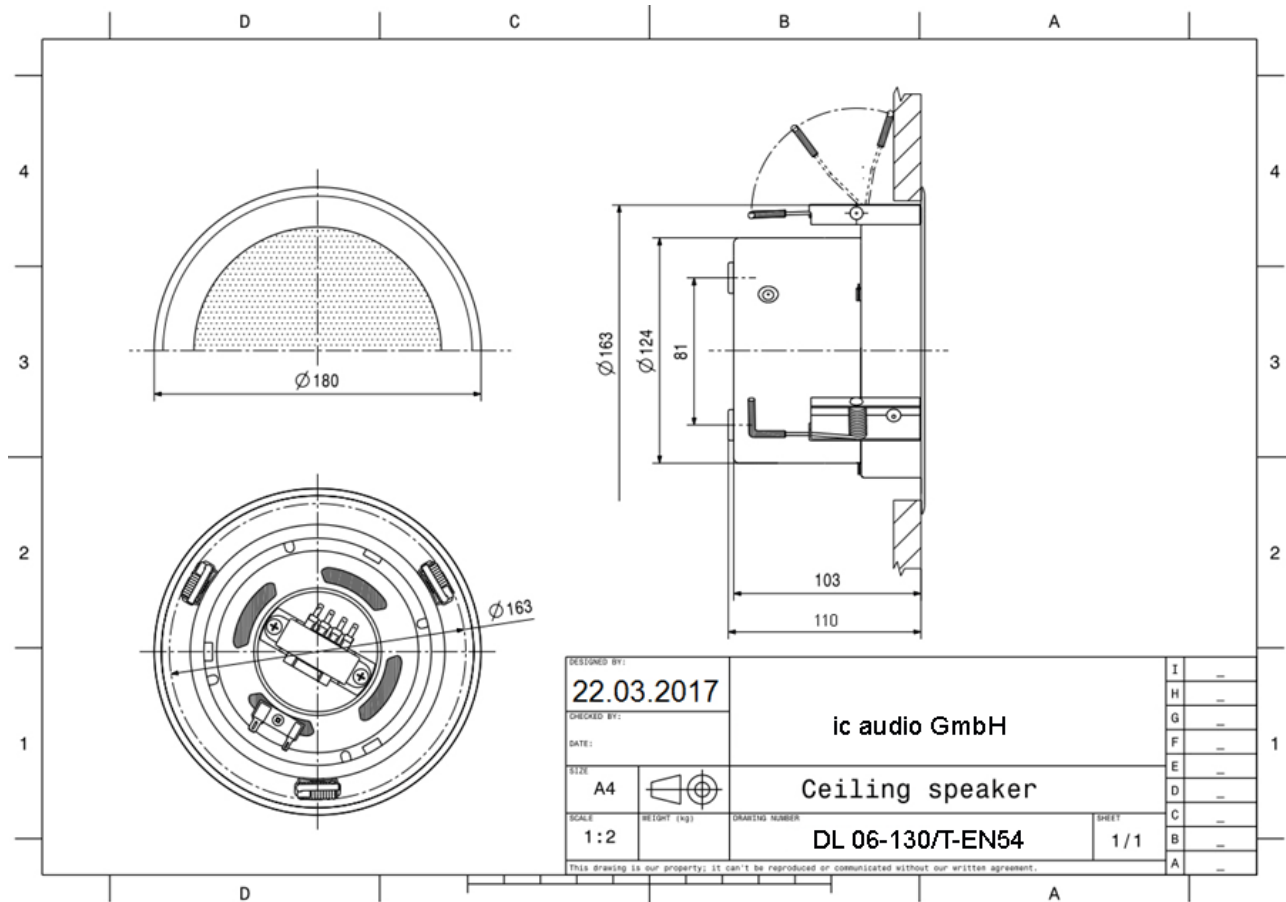
Technical Data (Mechanical)

Dimensions	180x110 mm
IP Rating	IP55
Weight (net)	1,17 kg
Ceiling Cut-out	167 mm
Temperature range	-10 / +55 C°
Mounting	Quick fit mounting
Connector	2-pin ceramic block
Terminal diameter	3,2 mm
Maximum cable cross section	8mm ²
Colour	RAL 9010

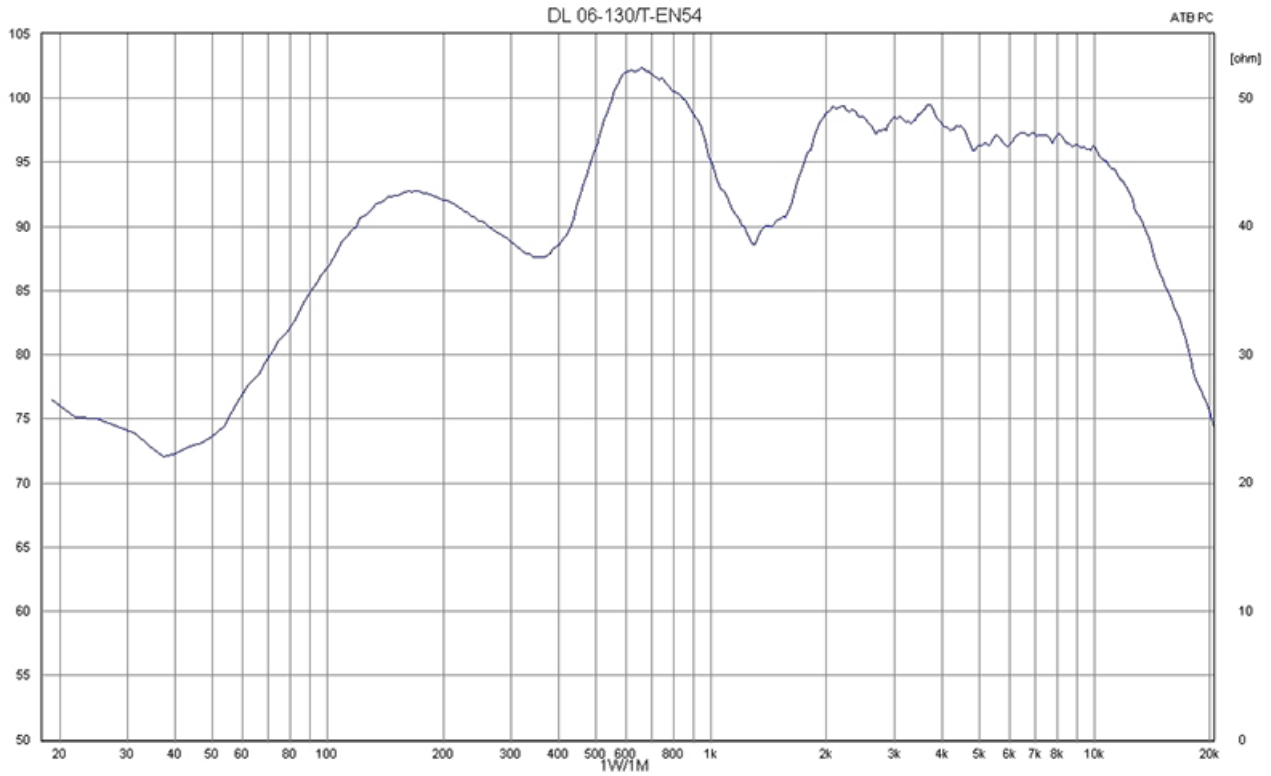
Product Attributes



Technical Diagrams

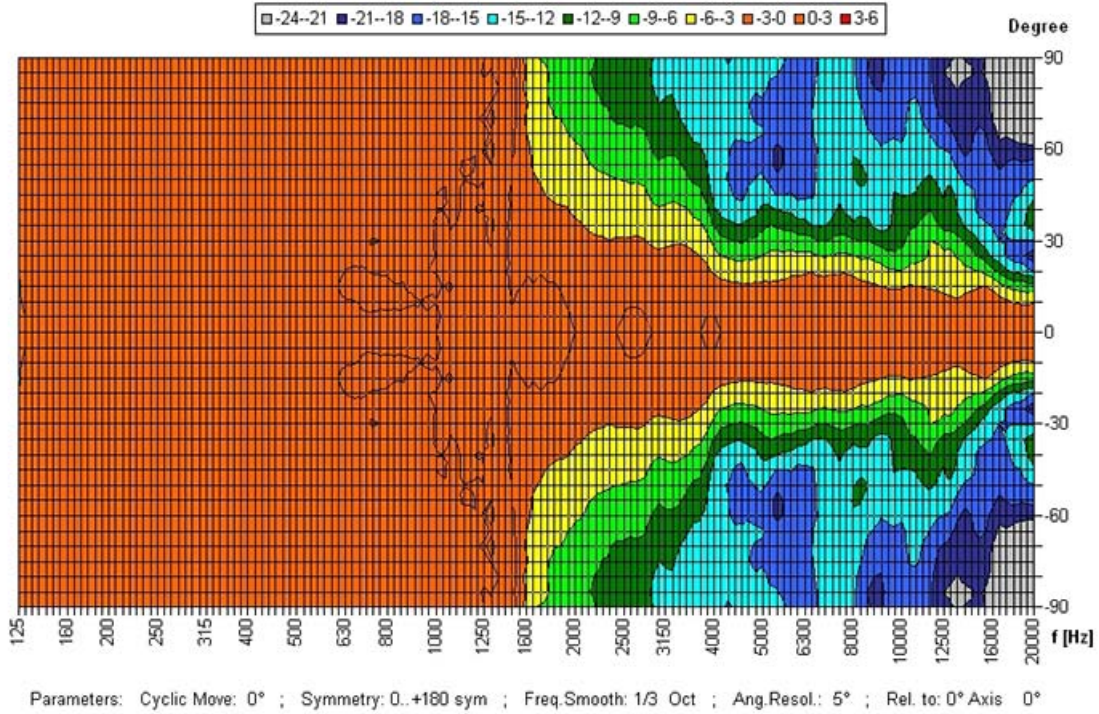


Frequency Response Diagrams



Polar Diagrams

Copyright by Four-Audio GmbH & Co KG Licensed to AAC



ic audio loudspeakers are tested and classified according to the IEC standard 60529 (degree of protection by enclosure) against the penetration of foreign objects and moisture. The classification is conforming to standards through characterization with a fixed code. This code consists of the letters IP (International Protection) followed by two digits. The first digit indicates the degree of protection against dust and the second digit the degree of protection against water. Please note that the testing of the products has been carried out in laboratory conditions which are not always 100% comparable with the conditions of different installation environments. This protection can be reduced due to normal wear and tear depending on the installation environment.

RoHS compliant (2011/65/EU)

The IP rating specified is based on ic audio test results, not on CNBOP-PIB test results. Certification only verifies the minimum requirements for EN54-24 compliance.



Article Nr.: 20102189

Packing Unit: 12

