



DL-A 10-165/T-EN54 SKD

- unobtrusive installation
- vandal-proof
- BS 5839



EN 54-24:2008
Ref. Nr.: 004-13
ID-Code: SAA-LS04
1438-CPR-0232

ic audio GmbH, Boehringerstraße 14a,
D-68307 Mannheim, Germany

CE-Symbol gemäß Richtlinie 93/68EWG

The 10W powered speaker is equipped with a 165mm full-range loudspeaker chassis and a 100V transformer with 4 power adjustments. The powder coated, shock-resistant metal housing in RAL 9010 guarantees long-term stability. For additional reliability, a 2 pin-ceramic block, a thermal fuse is provided and the speaker chassis is impregnated against wetness. The connecting cables can be supplied by rubber grommets at the side and also at the rear of the speaker housing.

The speaker is also secured with protection class IP 21C against the security risks of environmental influences.

The speaker is also compliant with the British Standard BS 5839, Part 8.

Quick and easy mounting by fixing screws at the metal back plate. Special paint of the speaker in 4-digit RAL- or NCS-colour available at extra cost.

Technical Data (Electrical)

Description	DL-A 10-165/T-EN54 SKD
Power	10/6/3/1,5 W
Impedance (100V)	1000/1667/3333/6667 ohm
Frequency Range	290 - 23.400 Hz
Frequency Response	230 - 24.000 Hz
SPL IEC268-5 , 1W/1m	93,0 dB
SPL EN54-24, Pmax/4m	89,0 dB
Sensitivity EN54-24, 1W/4m	81,0 dB
Sensitivity EN54-24, 1W/1m	93,0 dB
Dispersion -6dB, 500Hz	h/v 360°
Dispersion -6dB, 1KHz	h/v 210°
Dispersion -6dB, 2KHz	h/v 95°
Dispersion -6dB, 4KHz	h/v 50°

Please note: Because of many different types of ceiling materials and ceiling strengths we recommend to build in a sample of the speaker to match the requirements accurately.

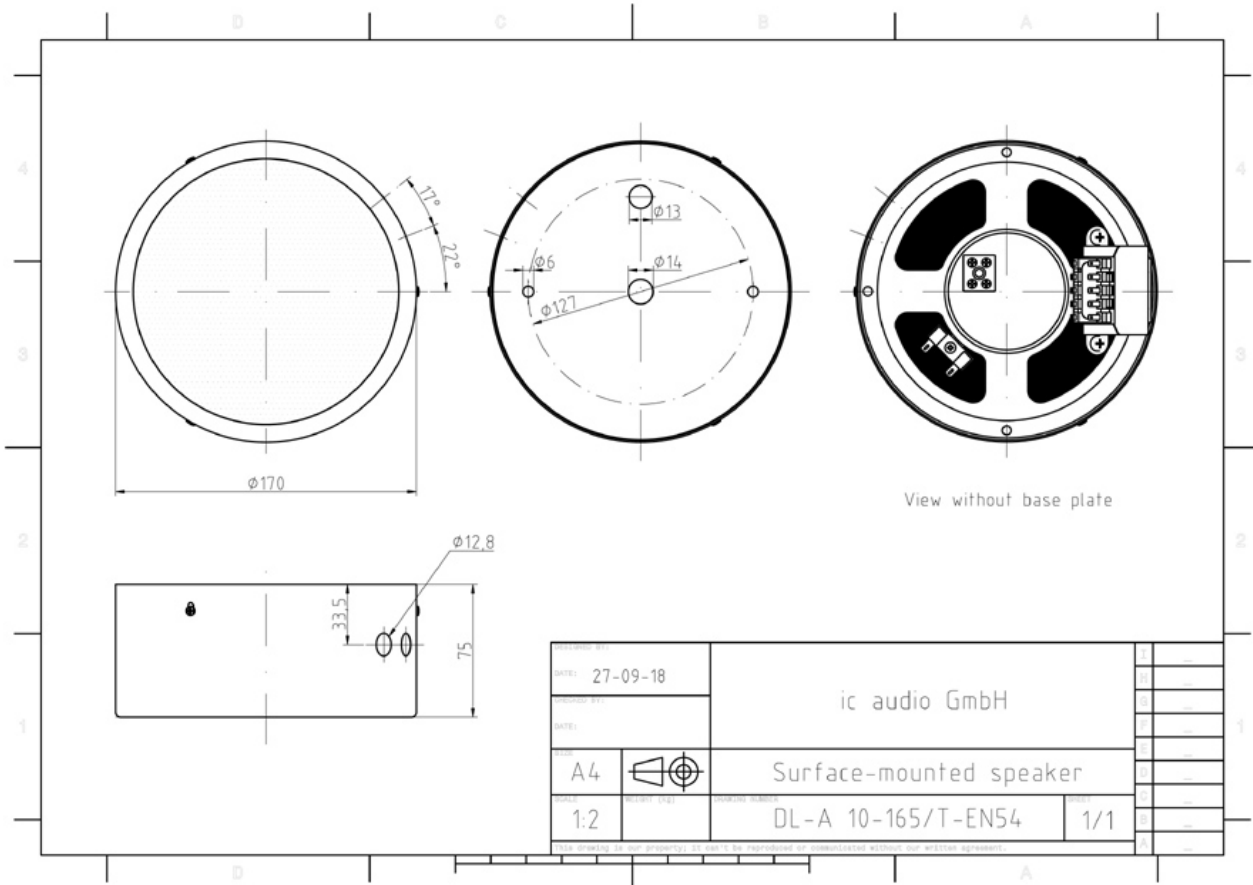
Technical Data (Mechanical)

Dimensions	170x76 mm
IP Rating	IP21
Weight (net)	1,15 kg
Temperature range	-10 / +55 C°
Mounting	Screws
Connector	2-pin ceramic block
Terminal diameter	3,2 mm
Maximum cable cross section	8mm ²
Colour	RAL 9010

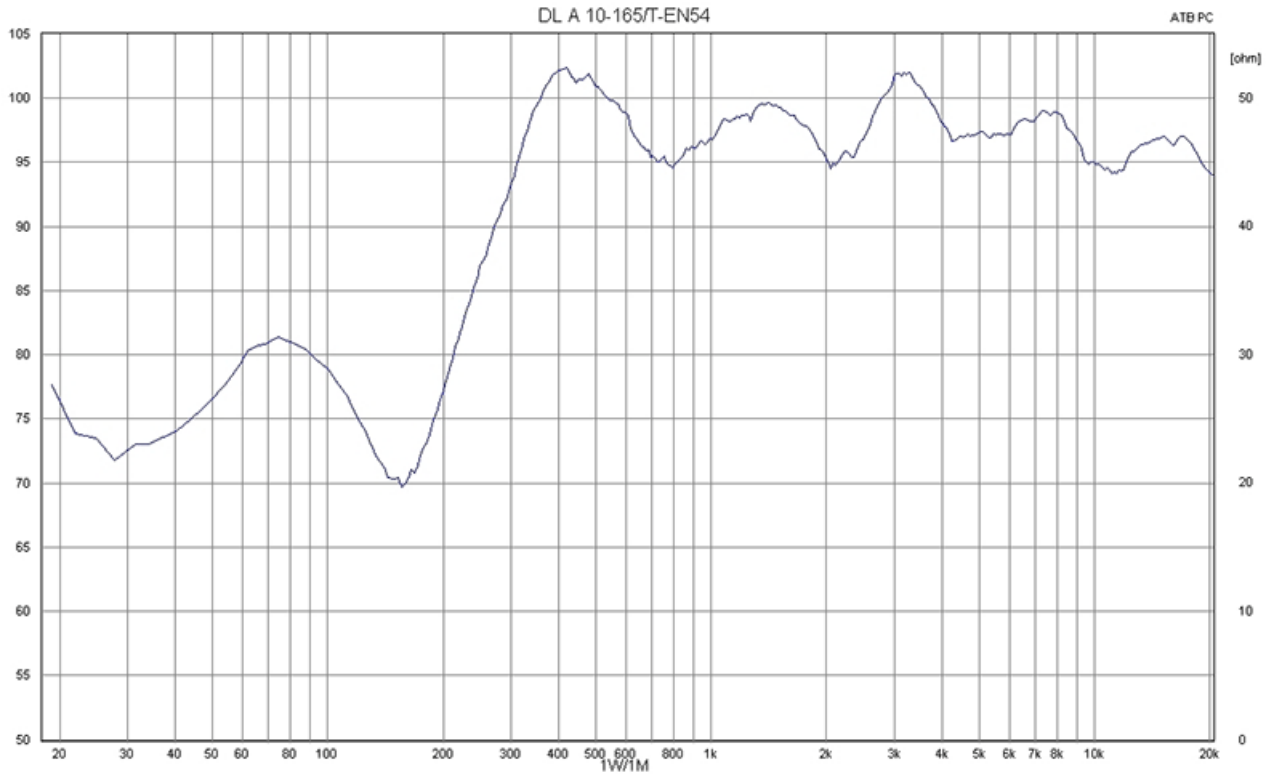
Product Attributes



Technical Diagrams

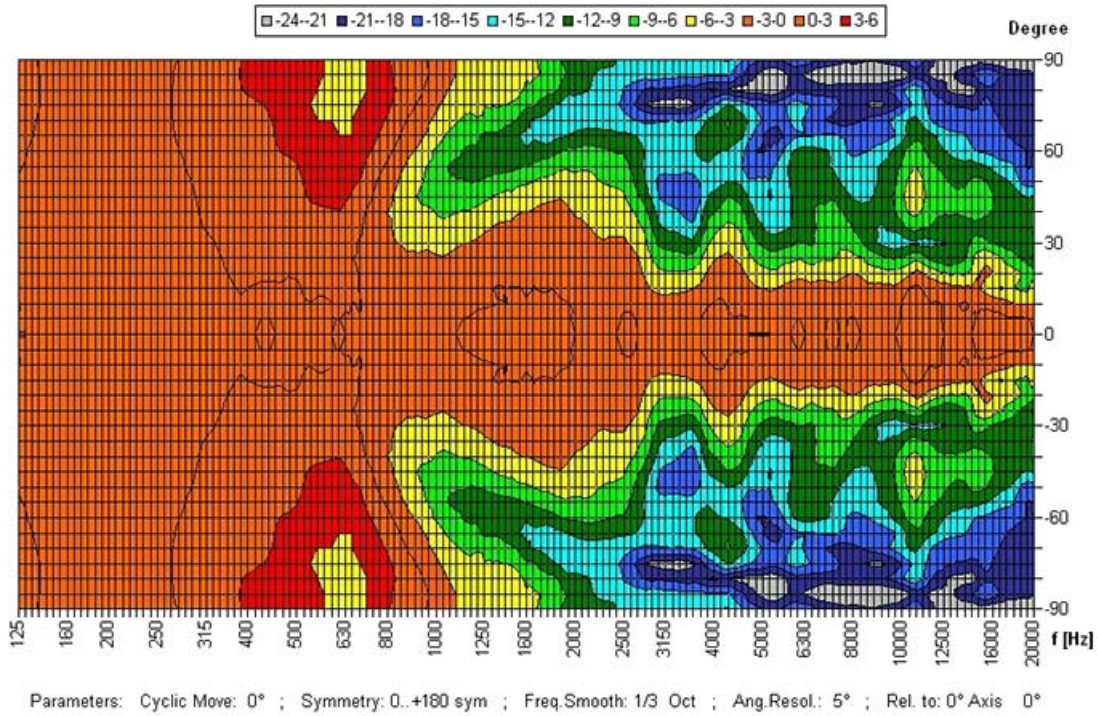


Frequency Response Diagrams



Polar Diagrams

Copyright by Four-Audio GmbH & Co KG Licensed to AAC



ic audio loudspeakers are tested and classified according to the IEC standard 60529 (degree of protection by enclosure) against the penetration of foreign objects and moisture. The classification is conforming to standards through characterization with a fixed code. This code consists of the letters IP (International Protection) followed by two digits. The first digit indicates the degree of protection against dust and the second digit the degree of protection against water. Please note that the testing of the products has been carried out in laboratory conditions which are not always 100% comparable with the conditions of different installation environments. This protection can be reduced due to normal wear and tear depending on the installation environment.

RoHS compliant (2011/65/EU)

The IP rating specified is based on ic audio test results, not on CNBOP-PIB test results. Certification only verifies the minimum requirements for EN54-24 compliance.



Article Nr.: 20102195 SKD

Packing Unit: 12

