

SensoIRIS MOUT-240 IP55 Relay Output Module 240VAC

EN54-18/17

Description

SensoIRIS MOUT-240 IP55 is a relay output control module designed for application in addressable fire alarm systems, supporting TTE communication protocol. The module provides interface for 240V and it is suitable for control of 240VAC voltage circuits. The module is designed with a built-in module isolator and is certified according to the requirements of EN 54-17.

SensoIRIS MOUT-240 IP55 is powered on from the fire panel and can be controlled via the communication protocol.

The module is mounted in a separate plastic box suitable for wall mounting with IP55 protection and possible for outdoor installations.

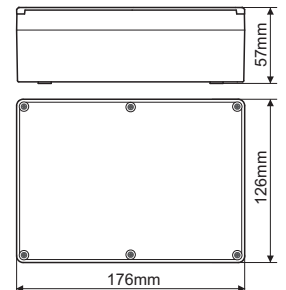
SensoIRIS MOUT-240 IP55 is certified according to the requirements of EN 54-18.



Technical and Environmental Specifications

Operating voltage	16 ÷ 32 VDC
Nominal consumption during communication	220µA
Current consumption in STAND-BY mode	175µA@27VDC
Current consumption with LED ON	4mA
Relay ratings	4A/ 250VAC; 3A/ 30VDC
Max. cross-section of the cable	2.5mm ²
Operating temperature	-10°C to +60°C
Relative humidity resistance	(93 ± 3)% @ 40°C
Protection	IP55
Weight	~320g
Enclosure box (material, color, model)	PS, Gray, Z74JH PS
Dimensions	176 x 126 x 57mm

CE 20
1293
DoP No: 093



Packing Information

- **Single packing** - 1 unit SensoIRIS MOUT-240 IP55, dimensions 182 x 128 x 60 mm.
- **Carton packing box** - 24 units SensoIRIS MOUT-240 IP55, dimensions 566 x 415 x 239 mm.

Compatible Product Range

- **IRIS/IRIS PRO** - Addressable Fire Panel, plastic/metal box, 4 loops, 96 zones
- **IRIS8** - Addressable Fire Panel, metal box, 8 loops, 200 zones
- **SIMPO** - Addressable Fire Panel, metal box 2 loops, 48 zones
- **SensoIRIS Programmer** - Address Programming Tool

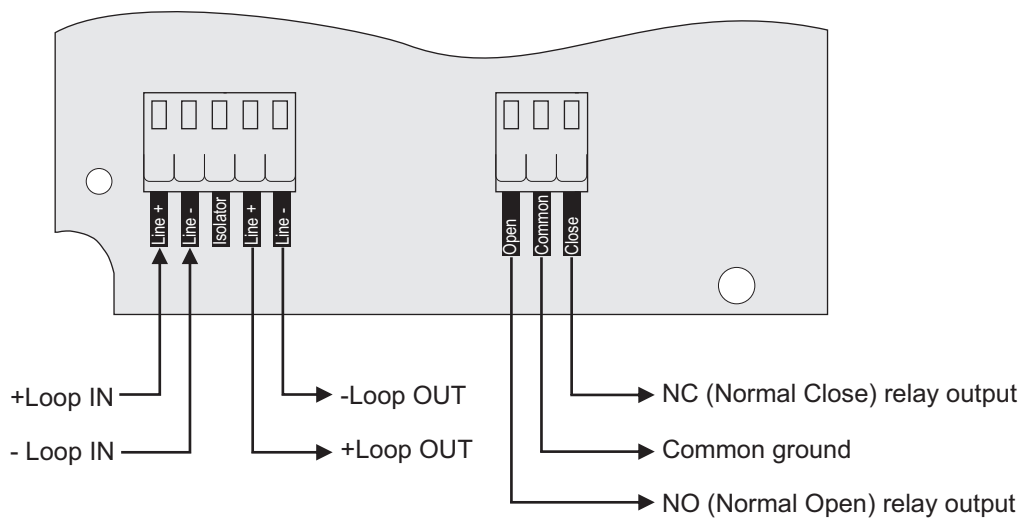
Contact Information

SensoIRIS MOUT-240 IP55 Relay Output Module 240VAC

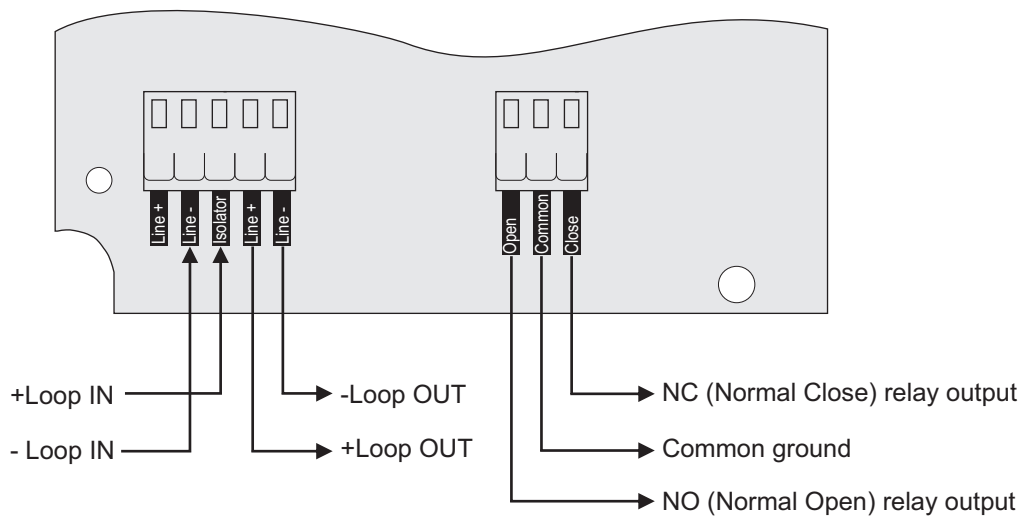
EN54-18/17

● Connection Diagrams

Without using the built-in isolator module



Using the built-in isolator module



● Contact Information