

SensoIRIS MIO22 IP55 Input-Output Module

EN54-18/ 17

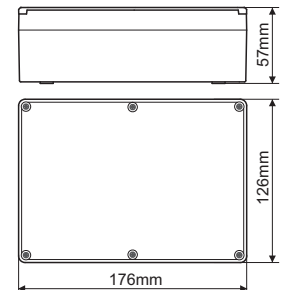
Description

SensoIRIS MIO22 IP55 is an addressable input-output module, designed for application in addressable fire alarm systems, supporting TTE communication protocol. The module monitors 2 analogue input signals and controls 2 relay outputs. SensoIRIS MIO22 IP55 is powered on from the fire panel and can be controlled via the communication protocol. The module is mounted in a separate plastic box suitable for wall mounting with IP55 protection and possible for outdoor installations.



Technical and Environmental Specifications

Operating Voltage Range	16 - 32VDC
Consumption, stand-by mode	235µA@27VDC
Nom. current consumption	260µA@27VDC
Outputs, electrical characteristics (max.)	DC 30V/1A; AC 125V/0.5A
Current consumption with 1 LED on	3.5mA
Current consumption with 2 LEDs on	7mA
Wire Gauge for terminals	0.4mm ² - 2.0mm ²
Operating temperature	-10°C to +60°C
Relative humidity resistance	(93 ± 3)% @ 40°C
Protection	IP55
Weight	~320g
Enclosure box (material, color, model)	PS, Gray, Z74JH PS
Dimensions	176 x 126 x 57mm



Packing Information

- **Single packing** - 1 unit SensoIRIS MIO22 IP55, dimensions 182 x 128 x 60 mm.
- **Carton packing box** - 24 units SensoIRIS MIO22 IP55, dimensions 566 x 415 x 239 mm.

Compatible Product Range

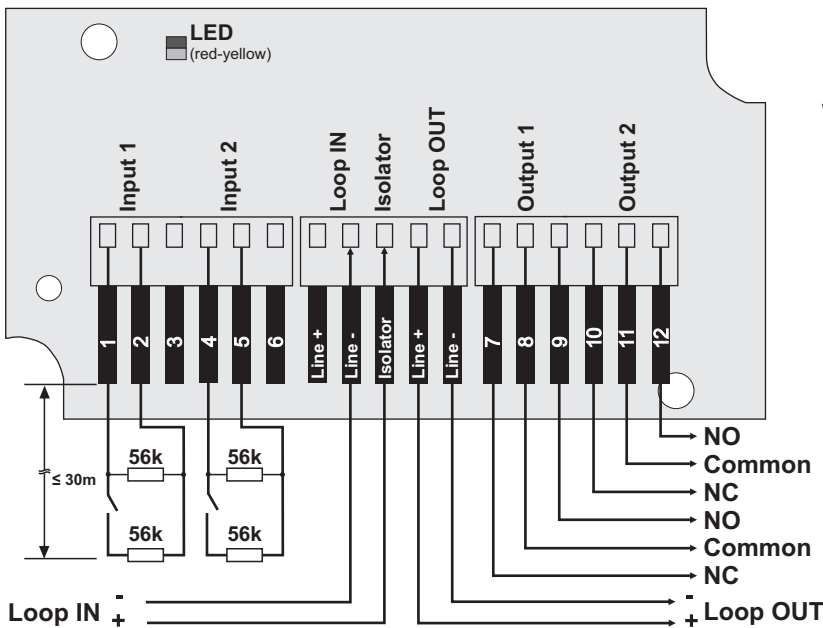
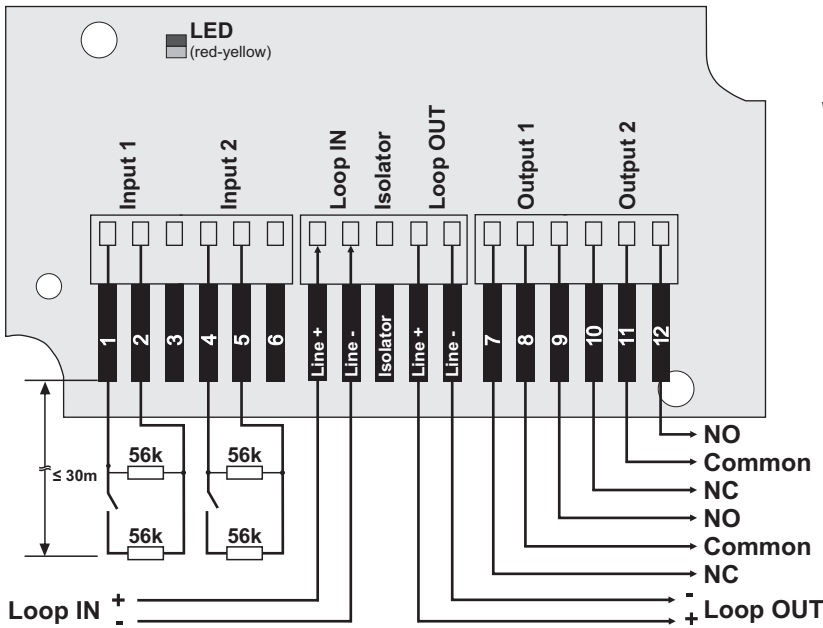
- **IRIS/IRIS PRO** - Addressable Fire Panel, plastic/metal box, 4 loops, 96 zones
- **IRIS8** - Addressable Fire Panel, metal box, 8 loops, 200 zones
- **SIMPO** - Addressable Fire Panel, metal box 2 loops, 48 zones
- **SensoIRIS Programmer** - Address Programming Tool

Contact Information

SensoIRIS MIO22 IP55 Input-Output Module

EN54-18/ 17

● Connection Diagrams



● Contact Information