



SBO Concrete Screw

0.0 Sheet thickness 0.0 mm

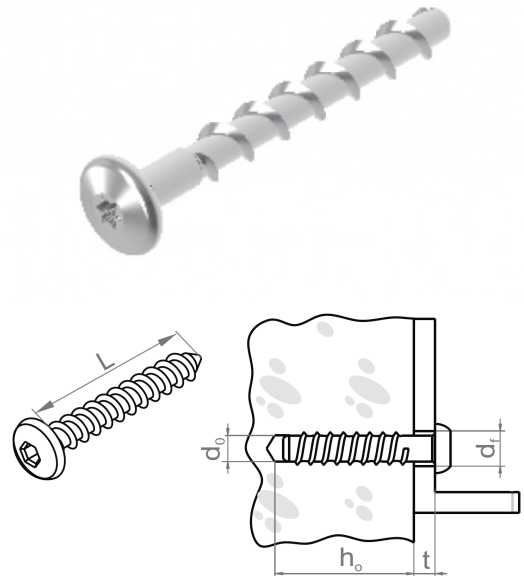
E90 E-90 system

Information

Construction fixing,
suspending cable routes to
concrete foundation.

Material

Electro-galv. steel (EG).



Product versions

| Symbol | Catalogue number | Driller \varnothing d0 (mm) | Opening in the affixed element d1 (mm) | Drilling depth h0 (mm) | Maximum usable length | Quantity (pcs.) |
|----------|------------------|-------------------------------|--|------------------------|-----------------------|-----------------|
| SBOM5x60 | 803914 | 5 | 7 | 65 | 5 | 100 |
| SBOM6x40 | 804915 | 6 | 8 | 45 | 5 | 100 |
| SBOM6x60 | 803915 | 6 | 8 | 65 | 5 | 100 |

