

SensoIRIS M140 IS Combined Fire Alarm Detector

EN54-5/ 7/ 17

Description

SensoIRIS M140 IS, is an addressable combined (temperature and optical-smoke) detector with built-in isolator module, designed for installing in addressable fire alarm systems supporting TTE communication protocol. The detector is powered on from the panel and can be controlled via the communication protocol.



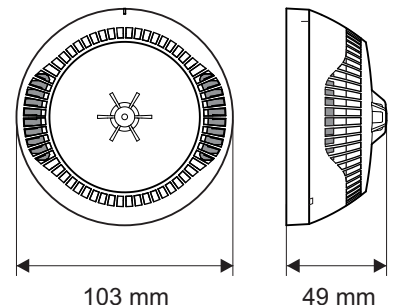
Technical and Environmental Specifications

Operating Voltage Range 16 - 32VDC (Nom. 27VDC)
 Consumption in quiescent state, no communication . . < 190µA@27VDC
 Consumption in quiescent state, with communication . < 310µA@27VDC
 Consumption in alarm state, with communication 6.5mA
 Class (in accordance with EN54-5) A1/R
 Sensitivity (in accordance with EN54-7) High/ Normal/ Middle/ Low
 Output in alarm state at terminal RI (terminals 4/ 1) . . 7.5 mA (max)/ 7.5V
 Wire Gauge for terminals 0.4mm² - 2.0mm²
 Operating temperature -10°C to +60°C
 Relative humidity resistance (93 ± 3)% @ 40°C
 Protection IP30*
 Weight (including base) ~125g
 Dimensions (including base) 103x49mm

* Not tested by LPCB

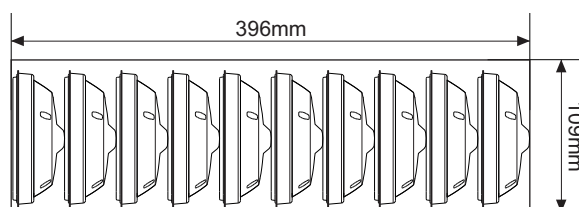


Tested by **EVPU** 1139m/01



Packing Information

• **Master box** - 10 units SensoIRIS M140 IS, dimensions 396 x 109 x 109 mm, without base. All detectors are protected with a plastic cap.



Compatible Product Range

- **IRIS** - Addressable Fire Alarm Panel, 4 loops, 96 zones
- **IRIS PRO** - Addressable Fire Panel, metal box, 4 loops, 96 zones
- **SIMPO** - Addressable Fire Panel, 2 loops, 48 zones
- **SensoIRIS FRI-1** - Remote Fire Indicator
- **SensoIRIS B124** - Standard Base
- **SensoIRIS BSOU** - Addressable base with built-in sounder
- **SensoIRIS BSST** - Addressable base with built-in sounder and strobe
- **DeepBase W** - Deep Base, white, for mounting on rough surfaces, outdoor pipelines, etc.
- **SensoIRIS Programmer** - Address Programming Tool

Contact Information

Teletek Electronics JSC
 14A Srebarna Str, 1407 Sofia, Bulgaria

Tel.: +359 2 9694 800
 Fax: +359 2 9625 213

info@teletek-electronics.bg
 www.teletek-electronics.com