

1

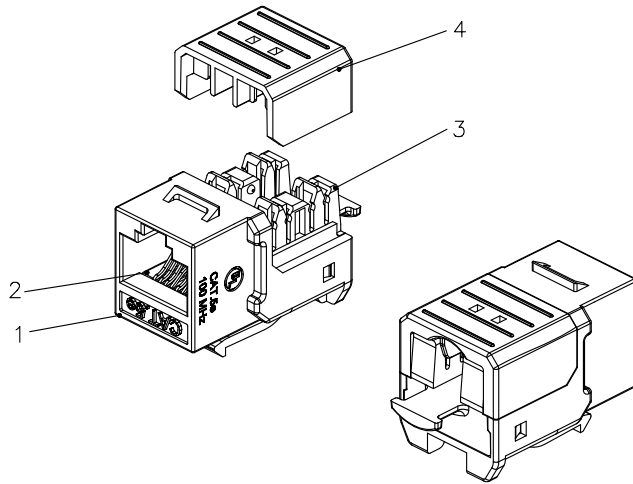
2

3

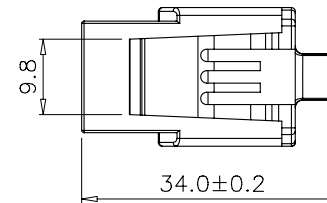
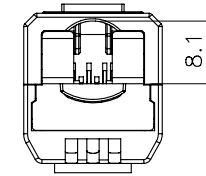
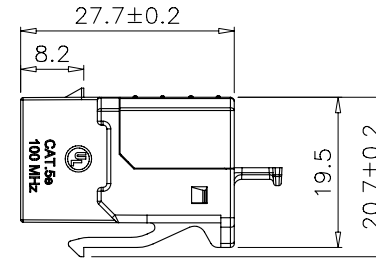
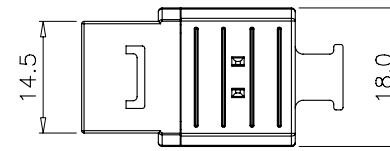
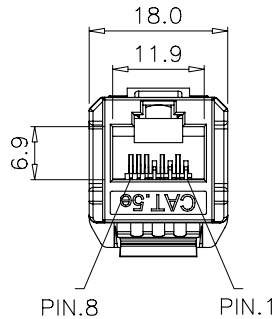
4

5

6



SCALE 1/1



Specification :

Material :

1. RJ45 Jack :
 - 1-1. Housing : ABS+PC, UL 94-V0, with optional color.
 - 1-2. Contact Bracket : PBT+Glass Fiber, UL 94V-0.
2. RJ45 Jack Contact :
 - 2-1. Material : Phosphor Bronze with Nickel plated.
 - 2-2. Finish : 50 micro-inch Gold plated on Plug contact area.
3. IDC :
 - 3-1. Housing : PC+Glass Fiber, Grey color(RAL7035), UL 94V-2.
 - 3-2. Terminal : Phosphor Bronze with Tin plated.
4. IDC Cap : 1250Y UL 94V-2, Transparent black.
5. PCB : FR4, UL 94V-0.

Performance :

- a. T568A & T568B wiring.
- b. Insertion Force : 20N max. (IEC 60603-7-4)
- c. Retention Strength : 7.7 kg between Jack and Plug.
- d. Life(mating cycles) :
 - e-1. Jack : 750 cycles min. (ISO/IEC 11801, IEC 60603-7-4)
 - e-2. IDC : Suitable for 23-26 AWG stranded and solid wire, compatible with both 110 & Krone punch down tool.
 - e-3. Tool-less : When using the IDC Cap for wire management.
- e. The Cat.5e transmission performance is in compliance with the ANSI/TIA/EIA 568 B.2 standard.

LinkSide

Product code: 490209

Name: Cat5e shielded keystone jack

1

2

0

3

4

10cm

5

6