

1

2

3

4

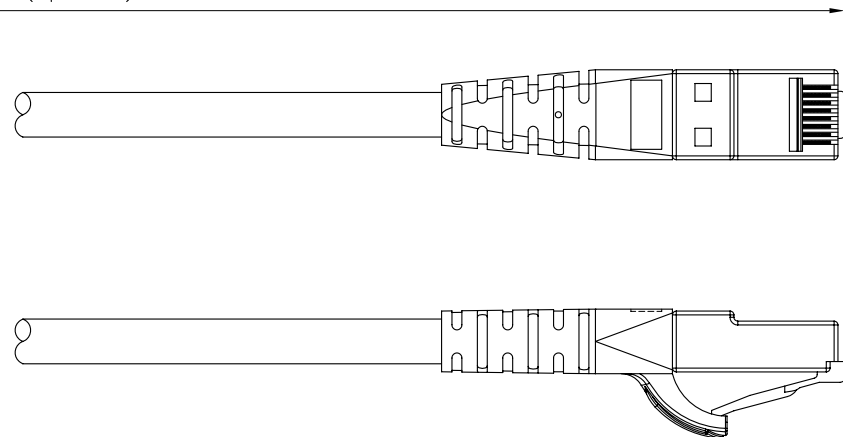
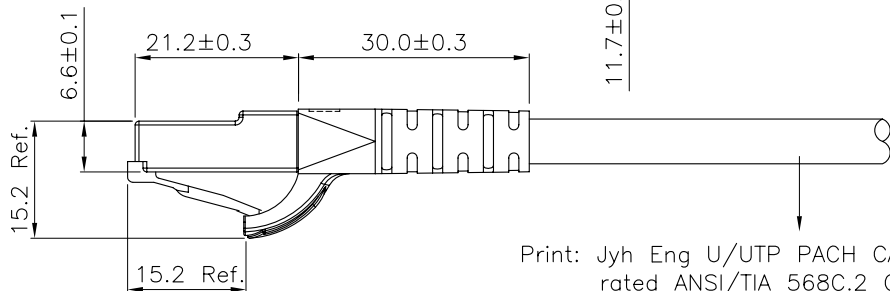
5

6

Total length (optional)

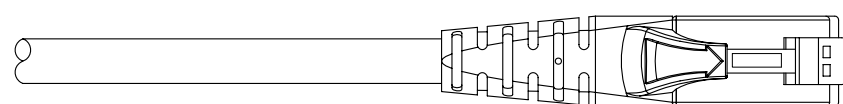
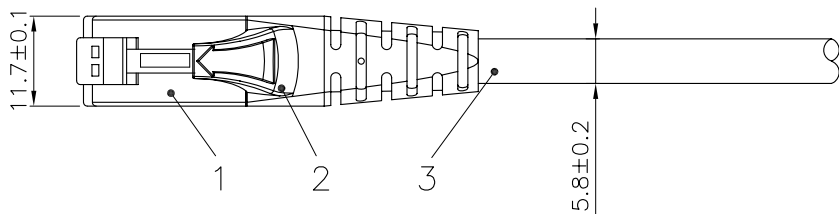
PLUG A
PIN.8
PIN.1

PLUG B
PIN.1
PIN.8



Print: Jyh Eng U/UTP PACH CABLE 24AWG 4PR CM 75°C (UL) E178558
rated ANSI/TIA 568C.2 CAT.6 XXXXXXXX-X

ETL Verified



Specification :

Material :

1. RJ45 Plug
 - 1-1. Housing : Polycarbonate, UL 94V-2, Transparent color.
 - 1-2. Contact material : Phosphor Bronze with 50-60 micro-inch Nickel plated.
 - 1-3. Contact finished : Min. 50 micro-inch Gold plated.
2. Molding: PVC.
3. Cable :
 - 3-1. Jacket : PVC.
 - 3-2. Conductor : 24 AWG stranded copper.
 - 3-3. Isolation : PE.
 - 3-4. Isolation Cross Bar for 4 pairs : PE.
4. Cable structure : U/UTP, 4 twisted pair with Cross Bar.

<h1>LinkSide</h1>
Product code: 490114; 490116
Name: Cat6 U/UTP patch cable

1

2

0

3

4

10cm

5

6