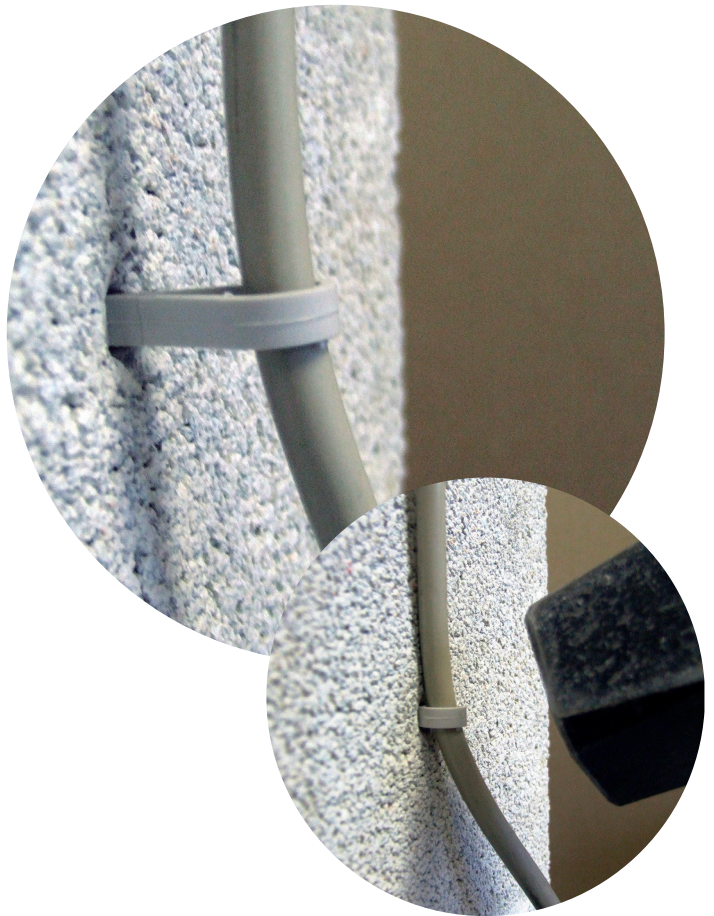
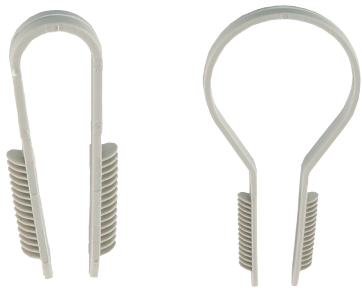


Push loop TACCABLE®

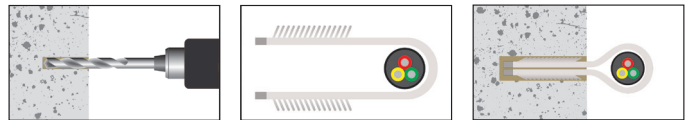


Advantages

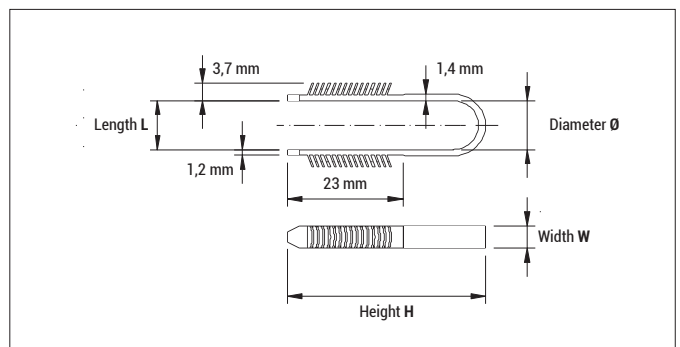


- Large clamping range for diameters 3-28 mm for cables or conduits
- Small drill diameter of 6 mm
- Maximum pull-out load in concrete approx. 30 kg

Mounting



Approvals and certificates



TACCABLE®

Type	Art-No	Drill hole Ø [mm]	Pipe-Ø / Cable-Ø [mm]	€ / 100 pcs	[pcs]	[pcs]
TCB 3-13	913TCB	6	3 - 13		200	3.600
TCB 13-28	928TCB	6	13 - 28		100	900