

# Metal conduit clip PFT & DFT

## Advantages



PFT single

DFT double

- Simple and quick mounting option for fire alarm cables, cables or pipes
- Very fast installation of electric cables, flexible and rigid cable conduits, water and heating pipes
- Support rib for high stability of the clip and secure hold



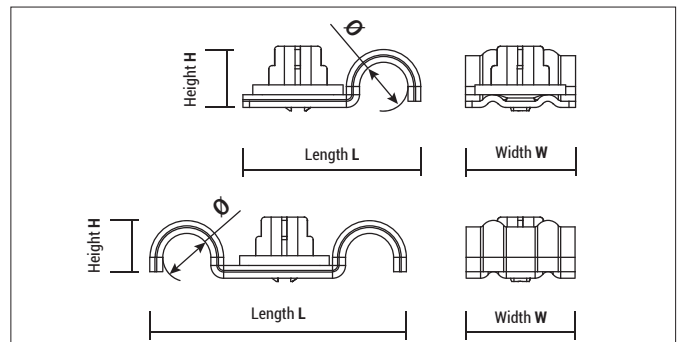
## Approvals and certificates



see assessment



## Mounting



## Metal conduit clip PFT & DFT



### PFT

Type	Art-No	Diameter Ø [mm]	Length L [mm]	Width W [mm]	Height H [mm]	Pipe-Ø			€/100 pcs	[pcs]	[pcs]
						Copper [mm]	Plastic [mm]	Cables [mm]			
PFT 5	95PFT	4,5	24	17	3,8	–	–	1x1.5 / 2x0.75	100	1.800	
PFT 6	96PFT	6	26	17	5,5	6	–	1x1,5 / 1x2,5	100	1.800	
PFT 7	97PFT	6,5	26,5	17	6	–	–	1x1,5 until 1x6	100	1.800	
PFT 8	98PFT	7,5	27,5	17	7	8	–	1x6 / 1x10	100	1.800	
PFT 10	910PFT	9,5	29,5	17	9	10	–	1x16 until 4x1,5	100	1.800	
PFT 12	912PFT	11,5	31,5	17	11,5	12	–	1x25 until 4x2,5	100	900	
PFT 14	914PFT	13,5	33,5	17	13,5	15	–	4x6	100	900	
PFT 16	916PFT	15,5	34,5	17	15,0	–	16	–	100	1.800	
PFT 18	918PFT	17,5	36,5	17	17,0	18	–	–	100	900	
PFT 20	920PFT	19,5	38,5	17	18,5	–	20	–	100	900	
PFT 22	922PFT	21,5	40,5	17	20,5	22	–	–	100	900	
PFT 25	925PFT	24,5	43,5	17	23,5	–	25	–	100	900	
PFT 28	928PFT	27,5	46,5	17	26,5	28	–	–	100	900	
PFT 32	932PFT	31,5	50,5	17	30,5	35	32	–	100	600	
PFT 40	940PFT	39,5	58,5	17	38,5	42	40	–	50	450	
PFT 50	950PFT	49,5	68,5	17	48,5	–	50	–	50	450	

Compatible gas nailers can be found on page 247



### DFT

Type	Art-No	Diameter Ø [mm]	Length L [mm]	Width W [mm]	Height H [mm]	Pipe-Ø			€/100 pcs	[pcs]	[pcs]
						Copper [mm]	Plastic [mm]	Cables [mm]			
DFT 5	95DFT	4,5	34	17	3,8	–	–	1x1.5 / 2x0.75	100	1.800	
DFT 6	96DFT	6	37	17	5,5	6	–	1x1,5 / 1x2,5	100	900	
DFT 7	97DFT	6,5	37	17	6	–	–	1x1,5 until 1x6	100	1.800	
DFT 8	98DFT	7,5	40	17	7	8	–	1x6 / 1x10	100	900	
DFT 10	910DFT	9,5	44	17	9	10	–	1x16 until 4x1,5	100	900	
DFT 12	912DFT	11,5	48	17	11,5	12	–	1x25 until 4x2,5	100	900	
DFT 16	916DFT	15,5	56	17	15	–	16	–	100	600	
DFT 18	918DFT	17,5	60	17	17	18	–	–	100	600	
DFT 20	920DFT	19,5	64	17	18,5	–	20	–	50	450	
DFT 22	922DFT	21,5	68	17	20,5	22	–	–	50	450	
DFT 25	925DFT	25,5	74	17	23,5	–	25	–	50	450	
DFT 28	928DFT	27,5	80	17	26,5	28	–	–	50	450	
DFT 32	932DFT	32	88	17	30	35	32	–	50	300	

Compatible gas nailers can be found on page 247