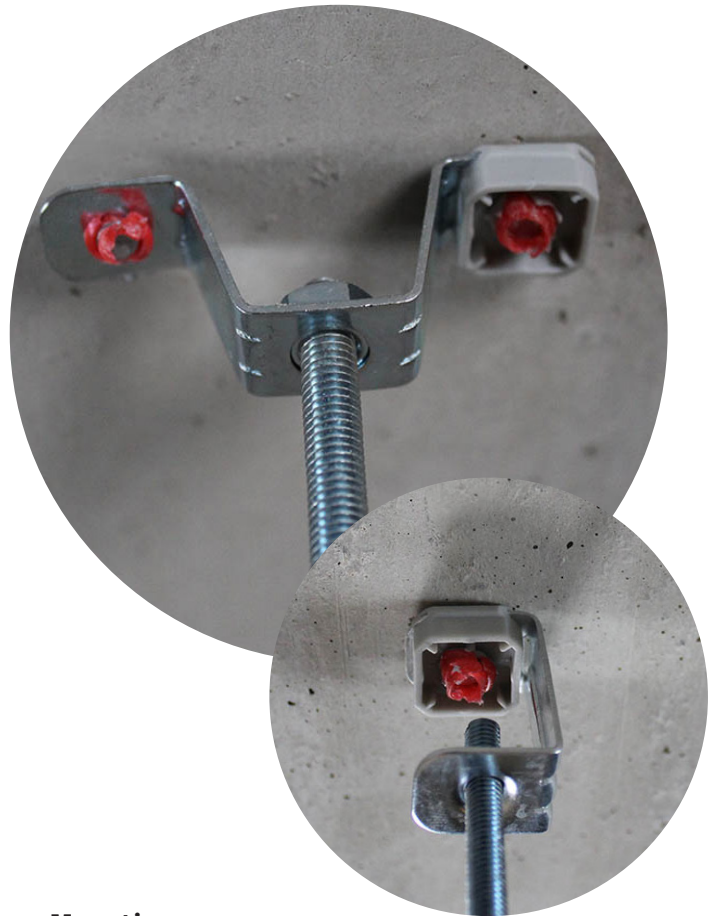


Rod hanger ATV



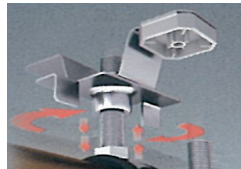
Advantages



ATV 4, 5, 6



ATV 8
with height adjustment

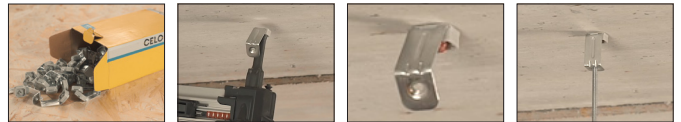


ATVS 8

- Fast mounting with gas nailer FORCE ONE and FOX
- Metric connecting thread for installation with anchor rod
- ATVS8: Easy and quick adjustment of the anchor rod

Mounting

ATV 4, 5, 6



ATV 8



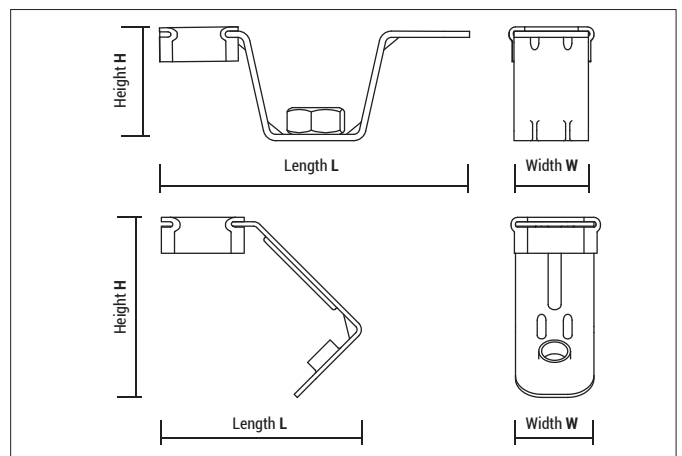
Approvals and certificates



In combination with XHA nail 22 mm



ATV, ATVS



| Type | Art-No | Metric thread | Length L [mm] | Width W [mm] | Height H [mm] | €/100 pcs | [pcs] | [pcs] |
|-------|--------|---------------|---------------|--------------|---------------|-----------|-------|-------|
| ATV4 | 9TV4 | M4 | 46 | 18 | 41 | | 100 | 600 |
| ATV5 | 9TV5 | M5 | 46 | 18 | 41 | | 100 | 600 |
| ATV6 | 9TV6 | M6 | 46 | 18 | 41 | | 100 | 600 |
| ATV8 | 9TV8 | M8 | 75 | 18 | 26,5 | | 50 | 450 |
| ATVS8 | 9TVS8 | M8 | 75 | 18 | 26,5 | | 50 | 450 |