



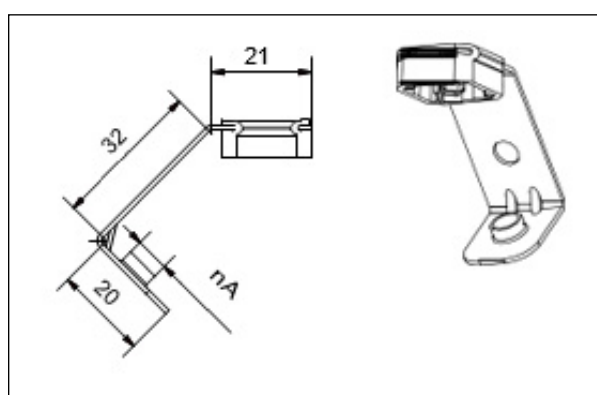
### BENEFITS

- Ceiling nut for the installation of wire rods M4, M5 and M6.
- Fast installation in 2 steps with gas nailers for concrete.
- Fixing with most models of gas nailers for concrete (FORCE ONE, FOX, AGII, POWERS, SPIT, HILTI (GX100), BEA, WÜRTH, BERNER...)
- Exclusive patented HDPE clip. Allows firm stick fit and holding on the nailer's nose piece.
- Material: Clip made in HDPE and base made in steel with zinc plated (min. 5 microns)
- Colour of the plastic part: Grey RAL 7035.

### BASE MATERIALS

- Concrete
- Concrete block
- Solid brick
- Steel

### MAIN DIMENSIONS (mm)



Reference	M4	M5	M6
ØA	M4	M5	M6

### INSTALLATION PROCEDURE



### INSTALLATION PARAMETERS

Material		Concrete	Concrete block	Steel
Minimum spacing distance	$S_{min}$ (mm)	100	100	100
Minimum edge distance	$C_{min}$ (mm)	75	100	25
Minimum thickness	$h_{min}$ (mm)	100	35	3,5

### RECOMMENDED LOADS

Material	Steel 5mm	Prefabricated concrete	Concrete 250Kg/cm <sup>2</sup>	Concrete blocks
Selected nail <sup>(1)</sup>	TK13/1000	XH22/1000	TK25/1000	TK25/1000
Recommended load (kg) <sup>(2)</sup>	20	35	30	25

<sup>(1)</sup> Recommended nail by apolo according to different material.

<sup>(2)</sup> Safety factor included.

**APPLICATIONS**

M4-5-6 threaded rod fixing.

