

WT-5800 G01

WIRELESS TUNER

The wireless tuner WT-5800 is a PLL-synthesizer controlled double superheterodyne true diversity tuner to be used in UHF wireless systems. It employs a compander noise reduction circuit to minimize the influence of the ambient RF noise.



Article number: WT-5800 G01ER
Alternative products: WT-5805 G01



WT-5800 G01

WIRELESS TUNER

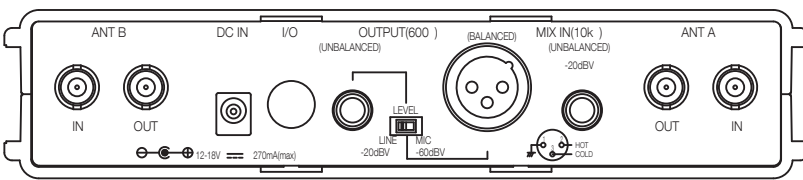
Specifications

Indicator	Audio (6 steps), RF (6 steps), ANT A/B, Audio (peak), Battery alarm
Power source.	AC mains (supplied AC adapter must be used)
Audio output	XLR balanced, ¼" jack unbalanced
Power source.	AC mains (supplied AC adapter must be used)
Power supply	12 V DC, 200 mA
Frequency response.	100 Hz - 15 kHz
Diversity principle	True diversity
Frequency response.	100 Hz - 15 kHz
Automatic frequency scan	Yes
Receiver sensitivity	20 dB μ V (S/N > 90 dB, 40 kHz deviation)
Antenna inputs	2 x BNC (75 Ω)
Antenna outputs	2 x BNC (75 Ω)
Nominal output level	Mic/line selectable, mic: -60 dBV, line: -20 dBV
Audio output	XLR balanced, ¼" jack unbalanced
Audio mixing input	¼" jack unbalanced
Indicator	Audio (6 steps), RF (6 steps), ANT A/B, Audio (peak), Battery alarm
Selectable frequencies (combined)	64 (4 banks with 16 frequencies each)
Simultaneous channels (combined)	*UNDEFINED TEXT*
Input sensitivity	Line (-20 dBV)
S/N ratio.	110 dB(A) (A)
Finish.	Resin, black,
Operating humidity.	30% - 85% RH (no condensation)
Operating temperature.	-10°C to +50°C

WT-5800 G01

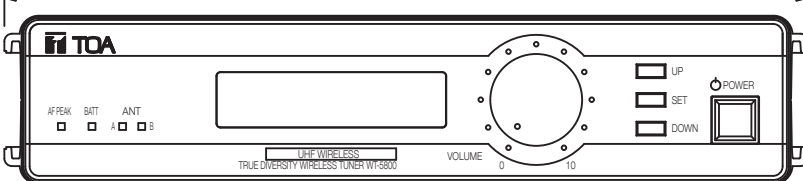
WIRELESS TUNER

Appearance



Rear View

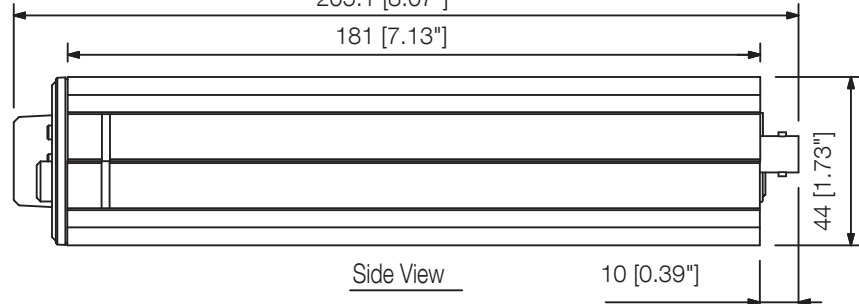
210 [8.27"]



Front View

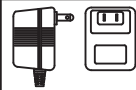
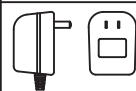
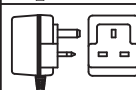
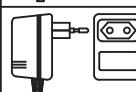
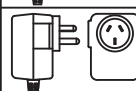
205.1 [8.07"]

181 [7.13"]



Side View

(*3)

Version	AC Adapter	
US	120 V AC, 60 Hz	
CN	220 V AC, 50 Hz	
UK	220 - 230 V AC, 50 Hz	
ER	230 V AC, 50 Hz	
AS	240 V AC, 50 Hz	

Note: No AC adapter is supplied with the version B02ER.

(*2)

Version	Receiving Frequency
A01	692 - 722 MHz, UHF
B01, B02	722 - 752 MHz, UHF
C01 - C07	794 - 830 MHz, UHF
D01 - D05	830 - 865 MHz, UHF
E01	668 - 698 MHz, UHF
F01	636 - 666 MHz, UHF
G01, G02	606 - 636 MHz, UHF
H01	576 - 606 MHz, UHF

UNIT:mm SCALE:1/2