

WT-5800 C07

WIRELESS TUNER

The wireless tuner WT-5800 is a PLL-synthesizer controlled double superheterodyne true diversity tuner to be used in UHF wireless systems. It employs a compander noise reduction circuit to minimize the influence of the ambient RF noise.



Article number: WT-5800 C07ER
Alternative products: WT-5805 C07



WT-5800 C07

WIRELESS TUNER

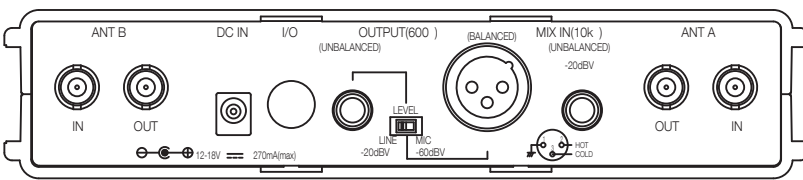
Specifications

| | |
|-----------------------------------|---|
| Indicator | Audio (6 steps), RF (6 steps), ANT A/B, Audio (peak), Battery alarm |
| Power source. | AC mains (supplied AC adapter must be used) |
| Audio output | XLR balanced, ¼" jack unbalanced |
| Power source. | AC mains (supplied AC adapter must be used) |
| Power supply | 12 V DC, 200 mA |
| Frequency response. | 100 Hz - 15 kHz |
| Diversity principle | True diversity |
| Frequency response. | 100 Hz - 15 kHz |
| Automatic frequency scan | Yes |
| Receiver sensitivity | 20 dB μ V (S/N > 90 dB, 40 kHz deviation) |
| Antenna inputs | 2 x BNC (75 Ω) |
| Antenna outputs | 2 x BNC (75 Ω) |
| Nominal output level | Mic/line selectable, mic: -60 dBV, line: -20 dBV |
| Audio output | XLR balanced, ¼" jack unbalanced |
| Audio mixing input | ¼" jack unbalanced |
| Indicator | Audio (6 steps), RF (6 steps), ANT A/B, Audio (peak), Battery alarm |
| Selectable frequencies (combined) | 64 (4 banks with 16 frequencies each) |
| Simultaneous channels (combined) | *UNDEFINED TEXT* |
| Input sensitivity | Line (-20 dBV) |
| S/N ratio. | 110 dB(A) (A) |
| Finish. | Resin, black, |
| Operating humidity. | 30% - 85% RH (no condensation) |
| Operating temperature. | -10°C to +50°C |

WT-5800 C07

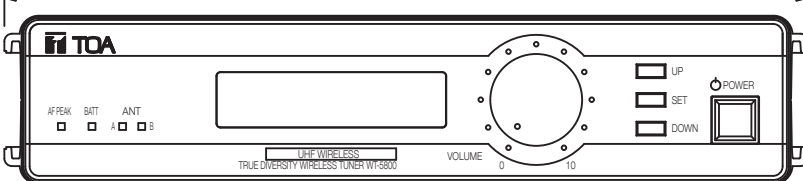
WIRELESS TUNER

Appearance

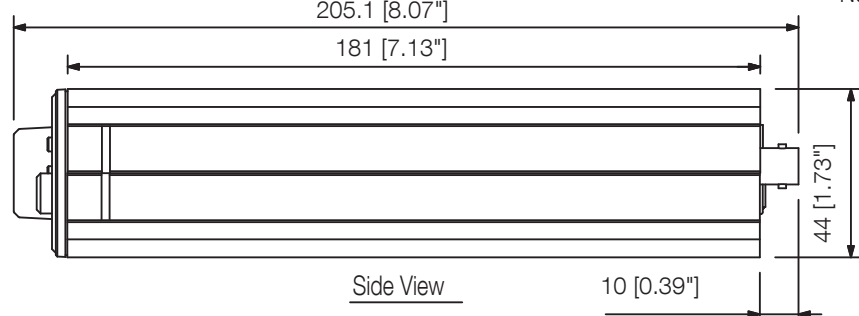


Rear View

210 [8.27"]

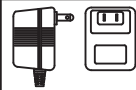
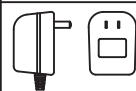
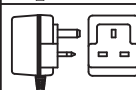
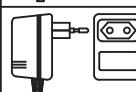
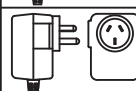


Front View



Side View

(*3)

| Version | AC Adapter | |
|---------|-----------------------|--|
| US | 120 V AC, 60 Hz |  |
| CN | 220 V AC, 50 Hz |  |
| UK | 220 - 230 V AC, 50 Hz |  |
| ER | 230 V AC, 50 Hz |  |
| AS | 240 V AC, 50 Hz |  |

Note: No AC adapter is supplied with the version B02ER.

(*2)

| Version | Receiving Frequency |
|-----------|---------------------|
| A01 | 692 - 722 MHz, UHF |
| B01, B02 | 722 - 752 MHz, UHF |
| C01 - C07 | 794 - 830 MHz, UHF |
| D01 - D05 | 830 - 865 MHz, UHF |
| E01 | 668 - 698 MHz, UHF |
| F01 | 636 - 666 MHz, UHF |
| G01, G02 | 606 - 636 MHz, UHF |
| H01 | 576 - 606 MHz, UHF |

UNIT:mm SCALE:1/2