

WT-5100 G01

PORTABLE RECEIVER

The WT-5100 is a Portable Receiver designed to receive UHF band radio signals. An optional earphone is required.



Article number: WT-5100 G01

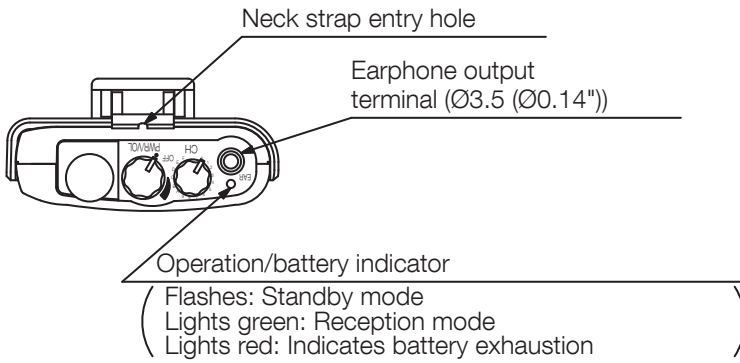
Specifications

Indicator	Operation/battery
Power source.	Battery 1.5 V DC, AA
Audio output	4 mW (16 Ω, 3.5 mm phone jack)
Power source.	Battery 1.5 V DC, AA
Frequency response.	200 Hz - 5 kHz
Frequency response.	200 Hz - 5 kHz
Receiving frequency	606 – 636 MHz
Receiver sensitivity	20 dBμV (60 dB S/N, 40 kHz deviation)
Antenna inputs	no
Audio output	4 mW (16 Ω, 3.5 mm phone jack)
Indicator	Operation/battery
Selectable frequencies (combined)	16
Simultaneous channels (combined)	16
Input sensitivity	20 dBμV (S/N: 60 dB, 40 kHz deviation)
S/N ratio.	60 dB(A) (at 20 dBμV input, ±40 kHz deviation)
Finish.	Resin, grey,

WT-5100 G01

PORTABLE RECEIVER

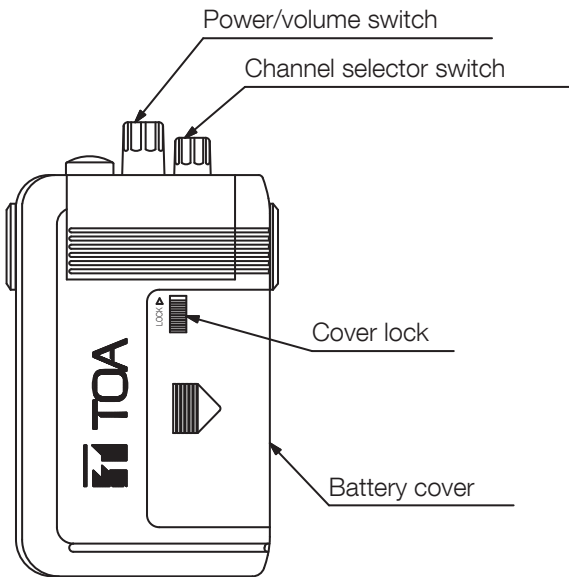
Appearance



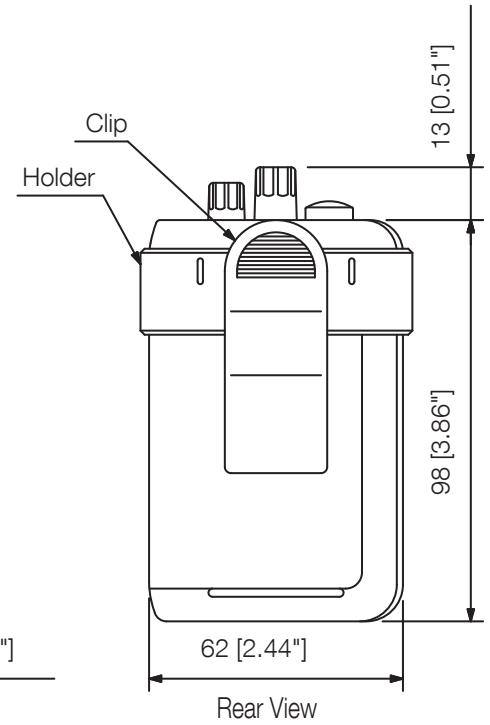
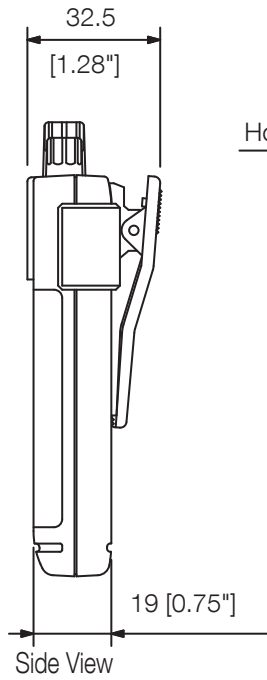
Top View

(*1)

Version	Receiving Frequency
A01	692 - 722 MHz, UHF
B01, B02	722 - 752 MHz, UHF
C01 - C07	794 - 830 MHz, UHF
D01 - D05	830 - 865 MHz, UHF
E01	668 - 698 MHz, UHF
F01	636 - 666 MHz, UHF
G01, G02	606 - 636 MHz, UHF
H01	576 - 606 MHz, UHF



Front View



UNIT:mm

SCALE:1/2