

The ER-1206 is a compact splash-proof megaphone rated at 6 W output and features IPX5 water-jet-resistant designs. It operates with 6 R6P batteries, or 4 R6P batteries when the battery spacer (accessory) is used.

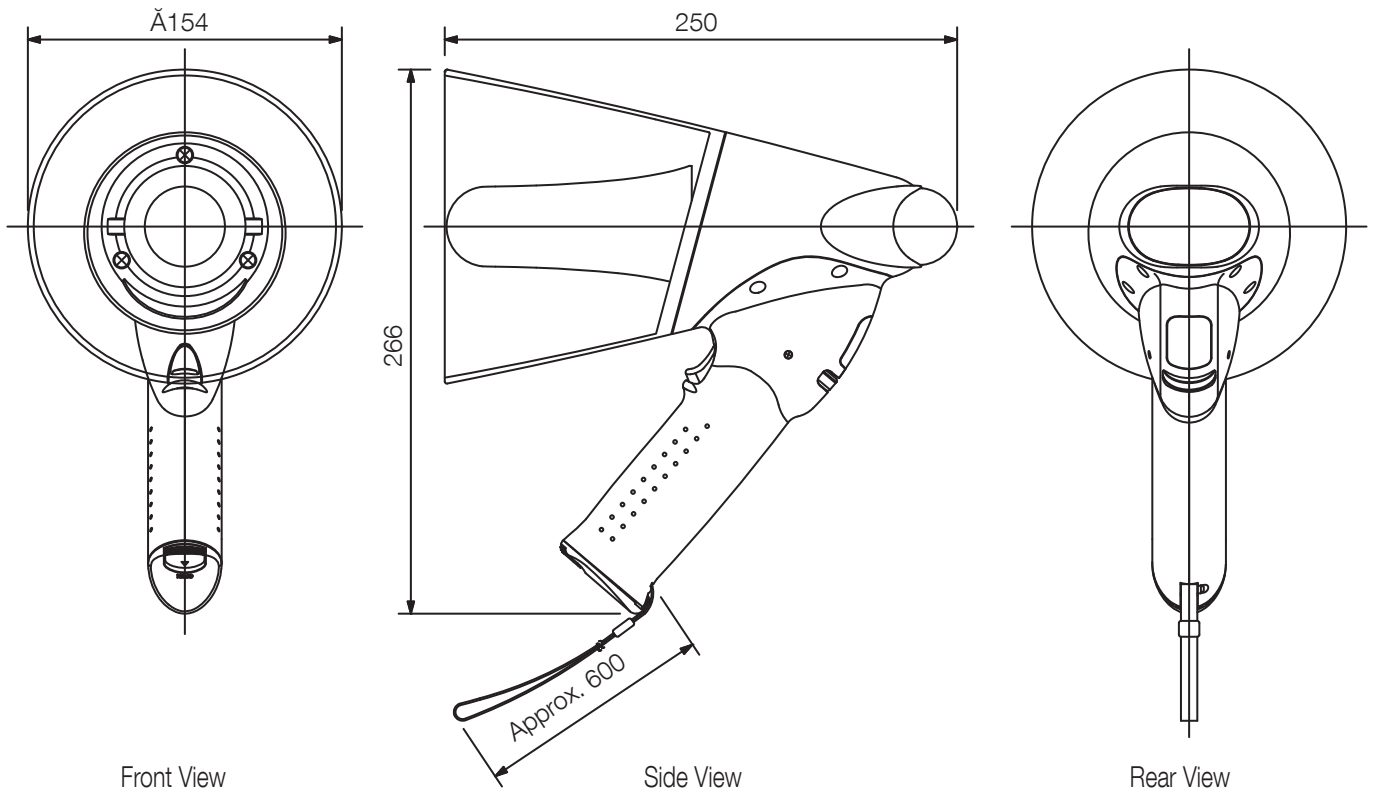


Article number:ER-1206 EU
Alternative products: ER-1206S, ER-1206W

Specifications

Power source	R6P (AA) x 6 (9 V DC) or R6P (AA) x 4 (6 V DC)
Rated output	6 W (10 W max.)
Power source	R6P (AA) x 6 (9 V DC) or R6P (AA) x 4 (6 V DC)
Rated output	6 W (10 W max.)
Frequency response	450 Hz - 6 kHz (SPL -20 dB)
Battery life	8 h at 9 VDC, 5 h at 6 VDC
Battery life on signal	20 min at 9 VDC, 10 min. at 6 VDC
Frequency response	450 Hz - 6 kHz (SPL -20 dB)
Audible range	Voice 250 m
Finish	ASA resin, dark grey,
Operating temperature	-10 °C to +40 °C

Appearance



Front View

Side View

Rear View

<Note on the audible range and battery life>

1. The indications of the audible range and battery life are based on the JEITA Standard(*1).
2. Audible Range presumes that the megaphone employs new batteries and is used on a quiet street.
It varies depending on such conditions as battery consumption, ambient noise, wind direction and obstacles.
3. Battery Life assumes that megaphone is used for 30 minutes a day.

UNIT:mm

SCALE:1/4