

The TU-651 is a highly intelligible driver unit suited to public address announcement applications. Use the driver unit in combination with a suitable horn (optional). Its powder-coated finish and stainless steel screws ensure the unit's weatherproof capability.

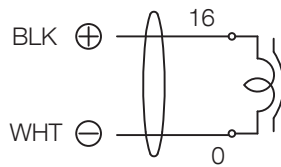
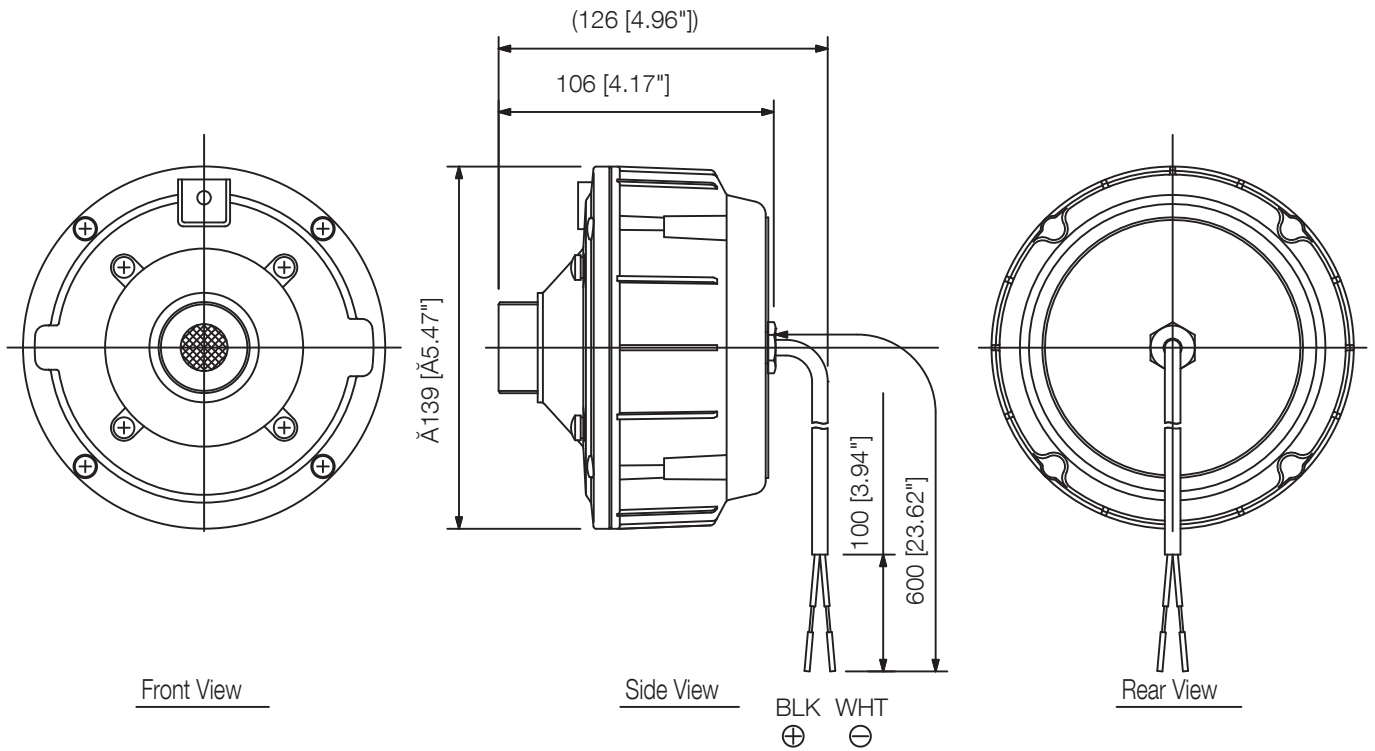


Article number:TU-651

## Specifications

Sensitivity (1#V, 1#n)	110 dB (with TH-650, TH-660)
Frequency response	150 Hz - 6 kHz
Rated input (high impedance)	50 W
Tappings	
Rated impedance	16 $\Omega$

Appearance



Wiring diagram

UNIT:mm SCALE:1/3