

HS-120B

SPEAKER SYSTEM

One of the most difficult speaker requirements to satisfy is a cost-effective mid-size speaker system that offers high quality sound no matter what the application. TOA HS-Series speakers are equipped with narrow-directivity control (90° horizontal × 40° vertical). This useful feature allows tailoring the speaker's dispersion characteristics to better suit the acoustic environment in which it is installed. The versatile HS-Series is compatible for use with 100V/70V lines for distributed applications. The HS-Series speakers are exceptional in offering useful features at an attractive price.



Article number: HS-120B
 Alternative products: HS-1200BT,
 HS-1200WT, HS-120W, HS-1500BT,
 HS-1500WT, HS-150B, HS-150W

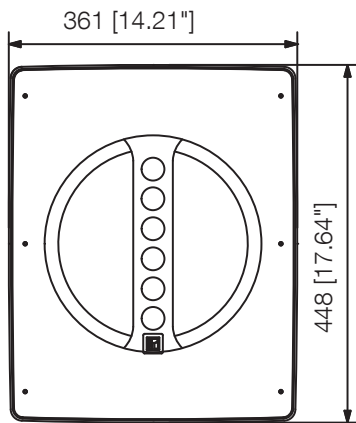
Specifications

Sensitivity (1#V, 1#n)	97 dB
Frequency response	80 Hz - 20 kHz
Rated input (low impedance)	Continuous pink noise: 100 W Continuous program: 300 W
Rated impedance	8 Ω
Speaker component	30 cm cone-type, balanced dome-type x 6
Finish	Polypropylene resin, black (RAL 9011 or equivalent),
Operating temperature	-10 °C to +50 °C

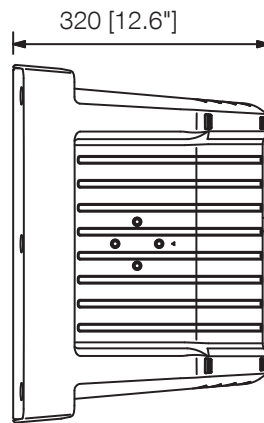
HS-120B

SPEAKER SYSTEM

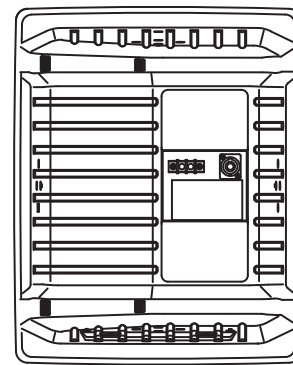
Appearance



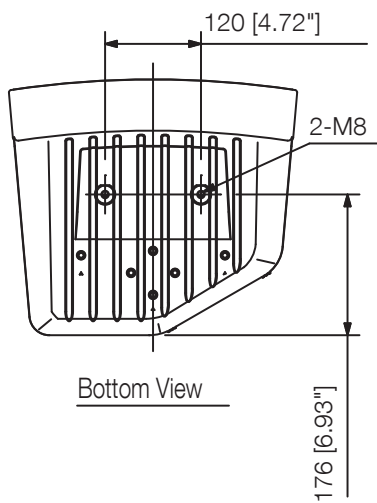
Front View



Side View



Rear View



Bottom View

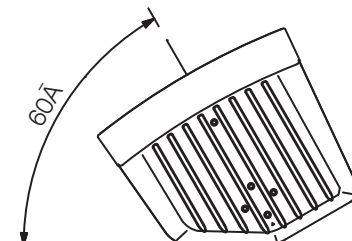
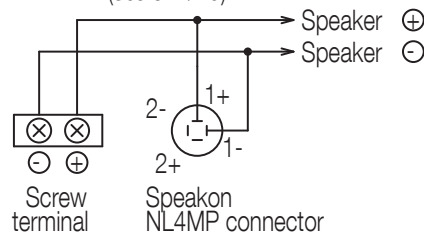
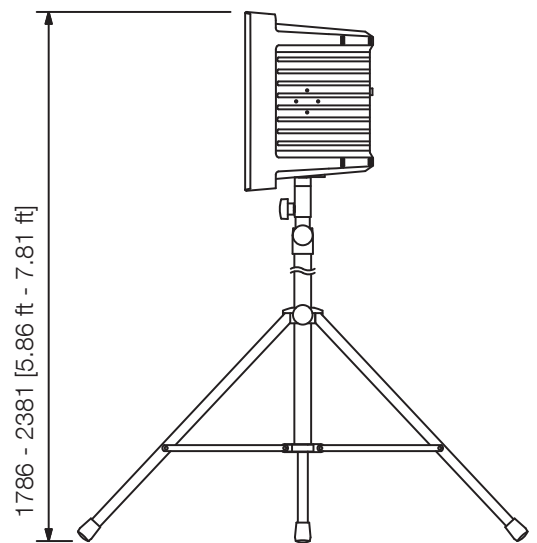


Figure of the unit installed
(scale: 1/15)



Wiring Diagram



ST-34B (option) mounting
(scale: 1/20)

UNIT:mm SCALE:1/10